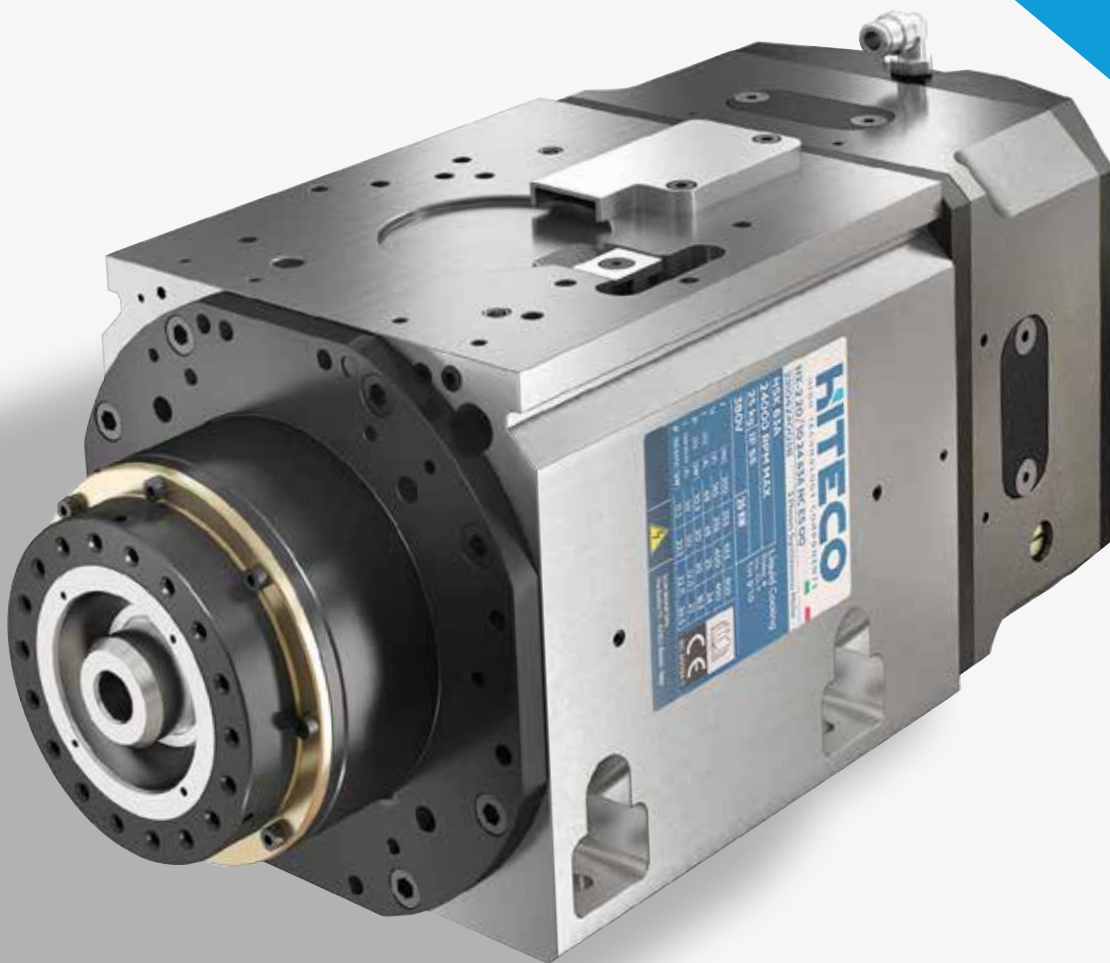


ELEKTROSPINDELN ATC MTC ELECTROSPINDLES



High-Tech-Komponenten für Hersteller von Werkzeugmaschinen.

-- **High-tech components** for machine tool manufacturers.

Hiteco ist auf die Planung und Konstruktion von elektromechanischen, industriellen High-Tech-Komponenten für Werkzeugmaschinen spezialisiert.

Elektrospindeln A.T.C., Elektrospindeln M.T.C., doppelt drehende Köpfe, Bohrköpfe und Aggregate.

-- Hiteco is specialized in design and manufacture of high technology industrial electromechanical components for machine tools. **A.T.C. electrospindles, M.T.C. electrospindles, birotary heads, boring units and aggregates.**



Hiteco präsentiert sich am internationalen Markt mit einem breitem Spektrum an Produkten für die Bearbeitung von: **Holz, Kunststoff, innovativen Werkstoffen, Glas, Stein und Metall.**

-- Hiteco offers a wide range of products on international market for **wood, plastic, advanced materials, glass, stone and metal processing.**



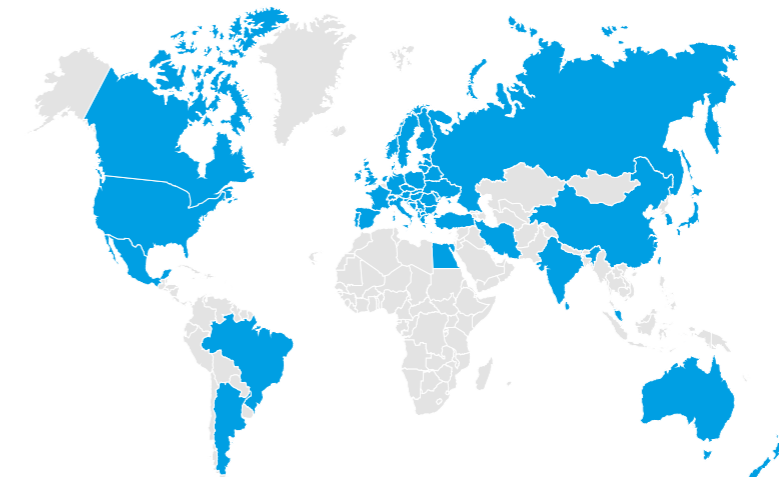
Hiteco wurde 1977 als interne Abteilung von **SCM Group** gegründet, dem weltweit führenden Unternehmen in der Herstellung von Werkzeugmaschinen für die Bearbeitung eines breiten Spektrums an Materialien, und ist seither exponentiell gewachsen. Im Jahr 2008 **wurde es zu einem eigenständigen Unternehmen, das externe Kunden beliefert.** Heute stellt Hiteco Produkte her, die auf dem Markt der Komponenten Maßstäbe setzen, und gehört zu den wichtigsten Akteuren des Sektors weltweit.

-- Hiteco founded in 1977 as an internal division of the **SCM Group**, leading company in machine tools construction for processing a wide range of materials, had an increasingly exponential growth. In 2008 it become **a profit unit for external customers.** Today Hiteco offers key products for the components market, becoming one of the most important world players in the sector.



Eine **engmaschige Präsenz**, die weltweit **einen Best-in-Class Service** gewährleistet.

-- **A capillary presence** for a **best-in-class** and **worldwide service.**



Die engmaschige Präsenz des Unternehmens entspricht dem Wunsch von Hiteco, den Kunden vor Ort mit **spezialisierten Technikern**, die eine sehr schnelle, professionelle Hilfe gewährleisten, beiseite zu stehen: nicht nur, um Ausfallzeiten der Maschinen und Probleme bei der Produktion zu vermeiden, sondern auch um mit effizienten, innovativen Lösungsvorschlägen einen Mehrwert zu erzeugen. Diese besondere Aufmerksamkeit gegenüber unseren Kunden ist - neben den schnellen Lieferzeiten - einer der Gründe, warum Hiteco auf dem internationalen Markt die höchste **Kundenzufriedenheit** genießt.

-- **The widespread distribution** of the company responds to the desire of Hiteco to be close to the customer with the presence of **specialized technicians** on the territory who guarantee an extremely rapid and professional response: not only to reduce machine downtimes and production problems, but also to create added value with the proposal of effective and innovative solutions. Such care, in addition to reduced delivery times, is one of the reasons that led Hiteco to have the highest **customer satisfaction** on the international market.



INHALT INDEX



IDENTIFIZIERUNGSCODE DER ELEKTROSPINDELN / ELECTROSPINDLE IDENTIFICATION KEY

Example **QE 1F 10/11 24 63F NC CB EN BT OQ IS**

MODELL (GEHÄUSEGRÖSSE) / MODEL (HOUSING DIMENSION)	
QD	102 X 119,5 mm
	110 X 111 mm
QE	130 X 140 mm
QF	150 X 160 mm
QM	215 X 245 mm, 230x230 mm
QX	130 X 130 mm
PX	150 X 150 mm
HX	150 X 150 mm
QT	150 X 150 mm
HT	150 X 150 mm
HD	130 X 130 mm
KX	Ø 202 mm
ML/MA	Ø 158, Ø 166, 135 x 137, 157 x 165
MG	200 X 200 mm
QN	102 X 119,5 mm
MQH1	205 X 175 mm
XS	70 X 65 mm

KÜHLUNG / COOLING TYPE	
1F= ELEKTROLÜFTER / ELECTROFAN	
1C= DRUCKLUFT/ COMPRESSED AIR	
2= FLÜSSIGKEIT/ LIQUID	
1= LÜFTER AUF WELLE/ FAN ON SHAFT	

NENNLEISTUNG (S1) @ GESCHWINDIGKEIT / RATED POWER (S1) @ SPEED
MAX. LEISTUNG @ GESCHWINDIGKEIT/MAX POWER @ SPEED

MAX. GESCHWINDIGKEIT / MAX SPEED

WERKZEUG-SPANNFUTTER / TOOL HOLDER
63F = HSK63F
32E = HSK32E
40E = HSK40E
63E = HSK63E
85S = HSK85S
80F = HSK80F
63A = HSK63A
130 = ISO30
140 = ISO40
ER25
ER32
ER40
WELLE/SHAFT, D=12, 16, 30, 40, 50

SPINDELNASE / SPINDLE NOSE
NC= KURZE NASE/SHORT NOSE
NL= LANGE NASE/LONG NOSE
CH = COMPACT SHORT NOSE
LH = COMPACT LONG NOSE

ELEKTROANSCHLUSS / ELECTRIC CONNECTION
CB= BASISANSCHLUSS/ BASIC CONNECTION
CC= RUNDER ANSCHLUSS/ CIRCULAR CONNECTION
PP= SCHNELLANSCHLUSS/ PLUG AND PLAY CONNECTION
SC= OHNE STECKER/ FLYING CABLE

ENCODER
ES= ENCODER 1 VPP (SYNUSOIDAL WAVE)
EN= ENCODER TTL (SQUARE WAVE)

SPANNUNG / VOLTAGE
BT= DUALE SPANNUNGSVERSORGUNG 220V/380V
220 V

OPTIONAL
OQ=OIL MIST+MQL (Minimal Quantity Lubrication)
AT= AIR TOOL
OM= OIL MIST
CTS= CTS SCHMIERUNG/ COOLANT THROUGH THE SHAFT

SONSTIGE VARIANTEN/ OTHER VARIANTS	
SCHWINGUNGSSENSOR/ VIBRATION SENSOR	
ÜBERWACHUNG DER LAGERTEMPERATUR/BEARING TEMPERATURE MONITORING	
GESCHWINDIGKEITSMESSEUR/ SPEED MONITORING	
S5 - SENSOR KOLBENRÜCKLAUF/ PISTON BACK SENSOR	
TEMPERATURSENSOR/ TEMPERATURE SENSOR	
SPINDLE-DIGITAL-KOMMUNIKATION AUF FIELDBUS/ DIGITALE KOMMUNIKATION DER SENSOREN AUF FIELDBUS	

INDEX DER LEISTUNGEN / POWER INDEX

POWERTECH	POWERTECH 200	POWERTECH 250	POWERTECH 300 COMPACT	POWERTECH 300	POWERTECH 400 HS	POWERTECH 400	POWERTECH 500	POWERTECH 600
POWER @RPM - MAX SPEED								
4/12 24	p. 9		p. 15					
5.5/6 20 (HT)						p. 23		
5.5/12 24			p. 15	p. 17				
6.5/12 36 (HS)		p. 11						
6.5/12 40 (HS)		p. 12						
6.6/12 24				p. 17				
7.5/6 24 (HT)						p. 23		
8/9 18 (HT)							p. 31	
8/12 24				p. 18 - 19				
8/12 28 (HS)					p. 21			
8/12 36 (HS)		p. 11						
8/12 40 (HS)		p. 12						
8.5/6 24 (HT)						p. 24		
8.5/12 24						p. 25		
9/6 24 (HT)						p. 27		
9.5/12 24				p. 19				
10/11 24						p. 25		
11/6 10 (HT)								p. 35
11/6 24 (HT)						p. 27		
11/12 20							p. 32	
12/6 18 (HT)							p. 33	
12/12 24						p. 26		
13/7 15 (HT)							p. 31	
13/12 24						p. 28		
16/12 24						p. 28		
18/6 12 (HT)								p. 35
18/12 20							p. 33	

HS= HIGH SPEED
HT= HIGH TORQUE

INDEX DER LEISTUNGEN / POWER INDEX

ROBOTECH	ROBOTECH QX	ROBOTECH QX HS	ROBOTECH PX-HX	ROBOTECH HX 3C	ROBOTECH HD	ROBOTECH QT	ROBOTECH HT	ROBOTECH QM
5.6/18 20					p. 53			
5/12 21	p. 38							
8/15 36 (HS)		p. 41						
8/15 40 (HS)		p. 41						
8.5/12 24	p. 37							
10/7 24 (HT)			p. 45	p. 49				
10/12 24	p. 37							
11/10 24		p. 42						
11/12 24	p. 38							
12/12 24			p. 46	p. 49				
13/7 24			p. 45					
13/6 16 (HT)						p. 55		
15/12 24			p. 46	p. 50				
16/6 16						p. 55		
18/12 24			p. 47	p. 50				
20/10 24			p. 47	p. 51				
25/7 16 (HT)						p. 56		
25/10 24							p. 59	
30/6 13 (HT)								p. 61

METALTECH	METALTECH KX	METALTECH MX
42/6 18 (HT)		p. 65
42/6 24 (HT)		p. 65
42/12 20		p. 66
42/12 28		p. 66
31/3 15	p. 63	
32/4.5 24	p. 63	

STONETECH	STONETECH MG
9/6 15	p. 69
13.5/6 15	p. 69
30/7.5 12	p. 70



ADDITIONAL EQUIPMENT	
C-AXIS FOR POWERTECH 300-400	p. 72
REFERENCE SLEEVE	p. 72
TOOL HOLDER	p. 73
TOOL FINGER	p. 73
HEAT EXCHANGER	p. 73

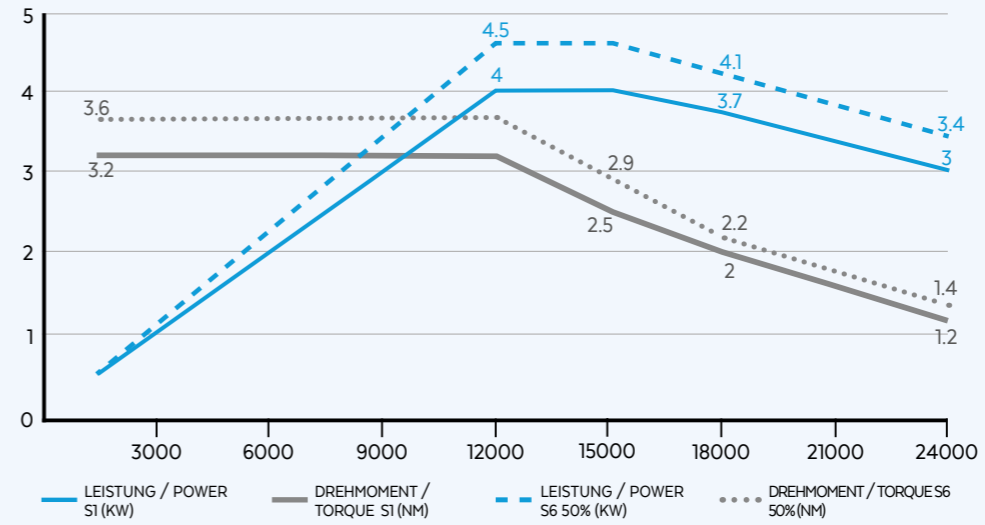
POWERTECH 200



SUITABLE FOR MACHINING WOOD, PLASTICS AND COMPOSITES
 REDUCED SPACE REQUIRED AND FIXING FLEXIBILITY (AVAILABLE ON 2 SIDES)
 AVAILABLE WITH ISO 30, HSK 63F AND DUAL VOLTAGE
 CERAMIC BEARINGS
 EASY MAINTENANCE

QD-1F 4/12 24

LEISTUNGEN / PERFORMANCES



OPTIONALES ZUBEHÖR / OPTIONS

- Circular connector CC
- HSK 63F
- Plug & Play
- COM-PRESSED AIR
- Anti-rotation sleeves
- Bearings temperature monitoring
- Speed monitoring
- Vibration sensor
- Dual voltage 220V-380V

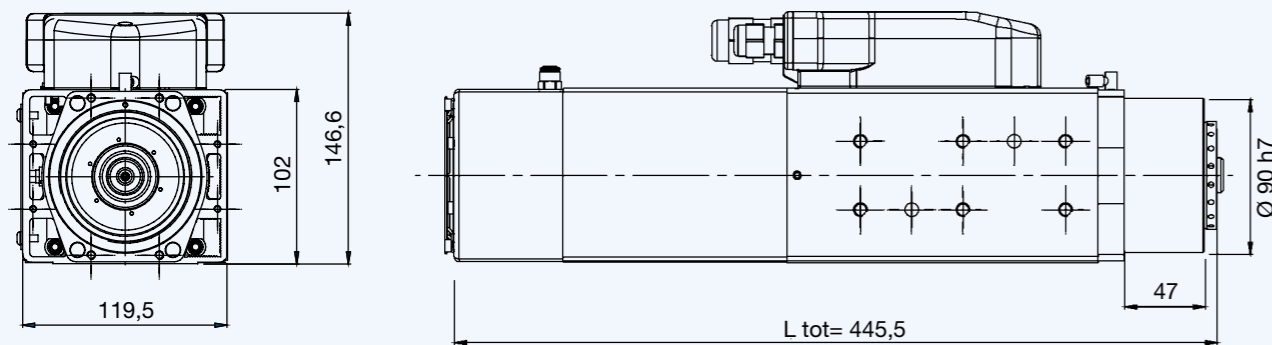
TECHNISCHE SPEZIFIKATIONEN / TECHNICAL SPECIFICATIONS

- S1-S6 kW 4/4.5
- S1-S6 A 9/10.7
- Pol es 4
- S1-S6 Nm 3.2/3.6
- Volt 380
- Supply inverter
- rpm 24000
- kg 18

AUSRÜSTUNG / EQUIPMENT

- ISO 30
- Ceramic ball bearings
- Labyrinth with air seal
- Electrofan cooling
- Grease lubrication
- Double effect pneumatic cylinder
- Sensors s1, s2, s3
- Automatic tool change (A.T.C)
- Taper cleaning

LAYOUT HSK 63F CB



WEITERE LAYOUTS / OTHER LAYOUTS

	ΔL	L tot
ISO 30	+6,9 mm	452,40 mm
Druckluft / Compressed air	ISO30= -29,1 mm	416,4 mm
	HSK63F= -36,0 mm	409,5 mm

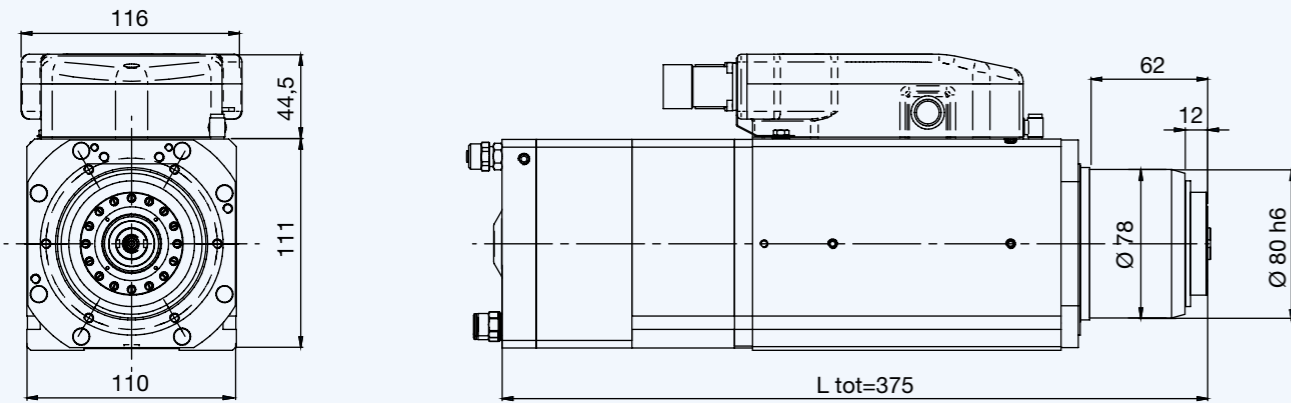


POWERTECH 250

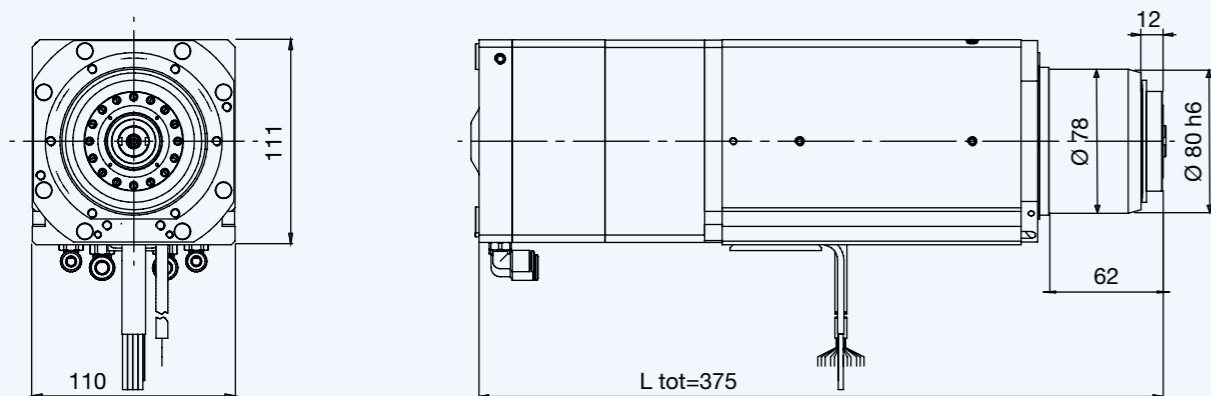


SUITABLE FOR MACHINING ALUMINUM, PLASTICS AND LIGHT ALLOYS
 VERY STRONG SPINDLES WITH SPEEDS UP TO 40K RPM
 5 BEARINGS FOR HIGH STIFFNESS
 SUITABLE FOR 3 AND 5-AXIS MACHINES

LAYOUT HSK40E / HSK32E CC



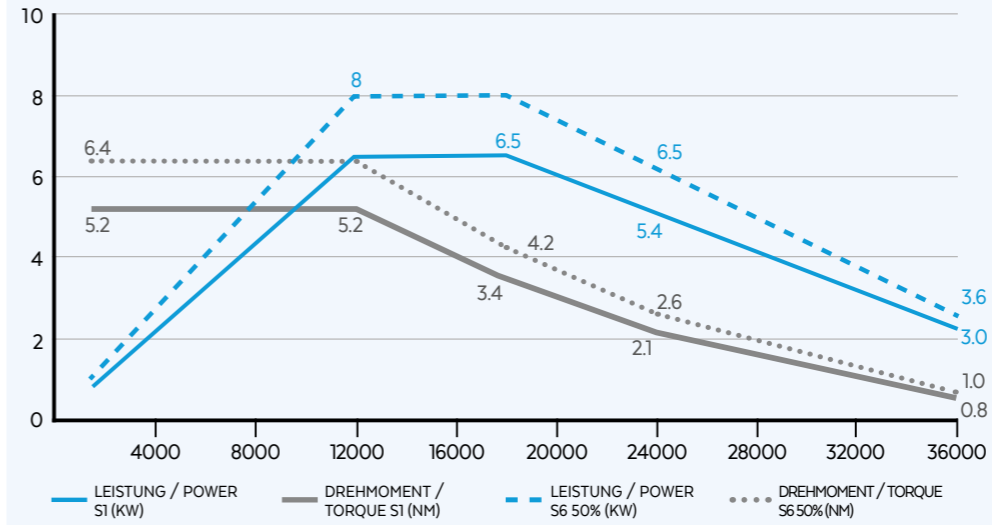
LAYOUT HSK40E / HSK32E SC



QD-2 6.5/12 36

HIGH SPEED

LEISTUNGEN / PERFORMANCES



OPTIONALES ZUBEHÖR / OPTIONS

- Encoder TVpp or TTL
- Quick connection PP
- HSK 32E
- Circular connector cc machine side
- Anti-rotation sleeves
- Bearings temperature monitoring
- Speed monitoring
- Vibration sensor
- Temperature sensor

TECHNISCHE SPEZIFIKATIONEN / TECHNICAL SPECIFICATIONS

- S1-S6 kW 6.5/8
- S1-S6 Nm 5.2/6.4
- rpm 36000
- S1-S6 A 20.5/23
- Volt 380
- kg 17
- Pol es 4
- Supply inverter

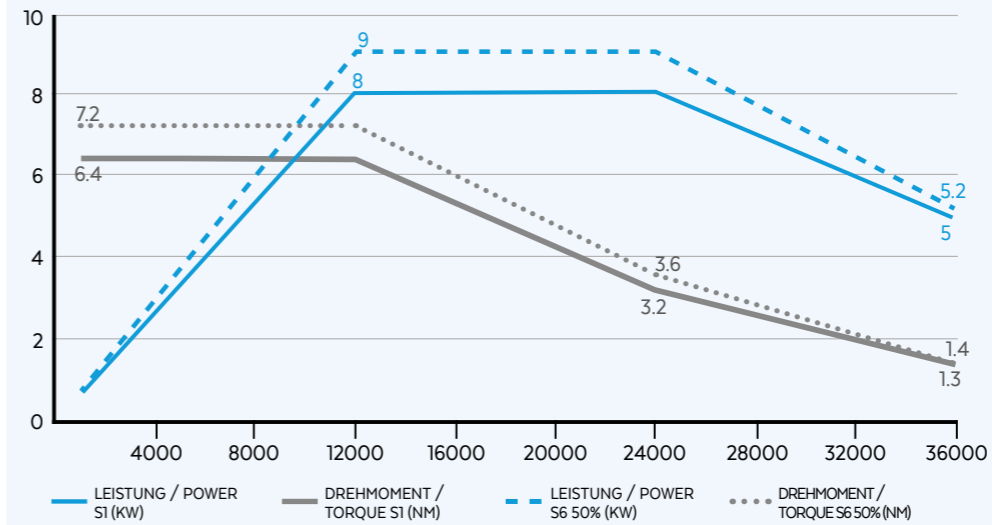
AUSRÜSTUNG / EQUIPMENT

- HSK 40E
- Ceramic ball bearings
- Circular connector spindle side
- Liquid cooling
- Labyrinth with air seal
- Taper cleaning
- Double effect pneumatic cylinder
- Automatic tool change (A.T.C)
- Sensors s1,s2,s3,s5

QD-2 8/12 36

HIGH SPEED

LEISTUNGEN / PERFORMANCES



OPTIONALES ZUBEHÖR / OPTIONS

- Encoder TVpp or TTL
- Quick connection PP
- HSK 32E
- Circular connector cc machine side
- Anti-rotation sleeves
- Bearings temperature monitoring
- Speed monitoring
- Vibration sensor
- Temperature sensor

TECHNISCHE SPEZIFIKATIONEN / TECHNICAL SPECIFICATIONS

- S1-S6 kW 8/9
- S1-S6 Nm 6.4/7.2
- rpm 36000
- S1-S6 A 24/26
- Volt 380
- kg 17
- Pol es 4
- Supply inverter

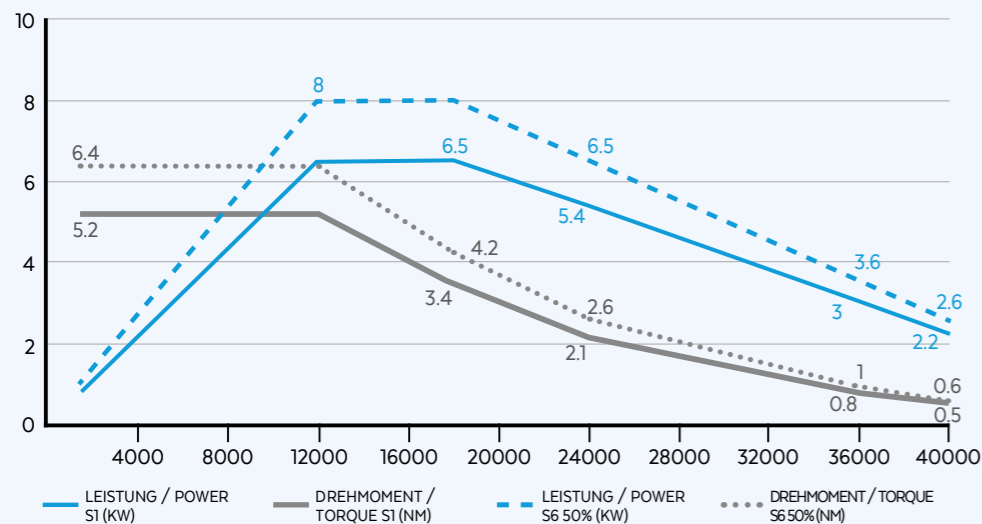
AUSRÜSTUNG / EQUIPMENT

- HSK 40E
- Ceramic ball bearings
- Circular connector spindle side
- Liquid cooling
- Labyrinth with air seal
- Taper cleaning
- Double effect pneumatic cylinder
- Automatic tool change (A.T.C)
- Sensors s1,s2,s3,s5

QD-2 6.5/12 40

HIGH SPEED

LEISTUNGEN / PERFORMANCES



OPTIONALES ZUBEHÖR / OPTIONS

- Encoder 1Vpp or TTL
- Quick connection PP
- Vibration sensor
- Temperature sensor
- Bearings temperature monitoring
- Speed monitoring
- Circular connector cc machine side
- Anti-rotation sleeves

TECHNISCHE SPEZIFIKATIONEN / TECHNICAL SPECIFICATIONS

- Power: 6.5/8 kW
- Current: 20.5/23 A
- Pol es: 4
- Supply: inverter
- Torque: 5.2/6.4 Nm
- Voltage: 380 Volt
- Speed: 40000 rpm
- Weight: 17 kg

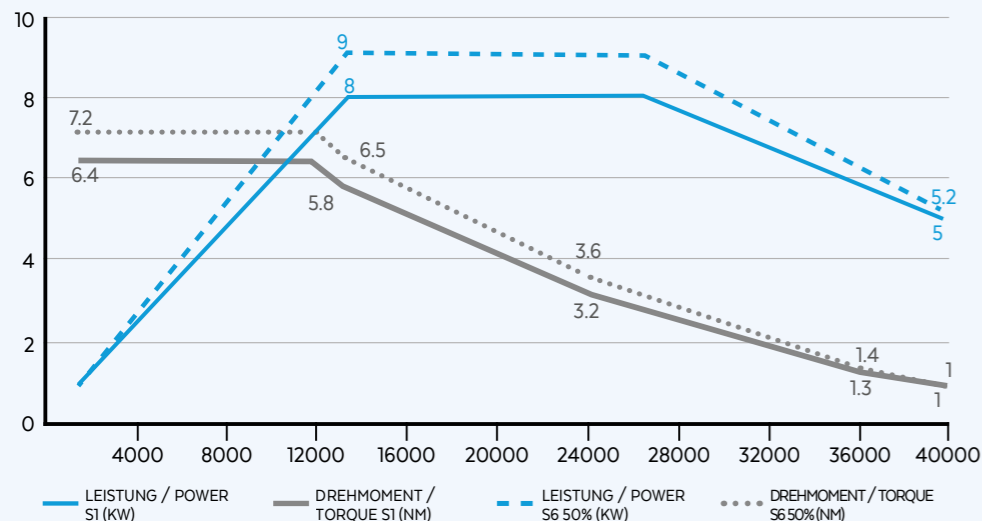
AUSRÜSTUNG / EQUIPMENT

- HSK 32E
- Liquid cooling
- Double effect pneumatic cylinder
- Automatic tool change (A.T.C.)
- Ceramic ball bearings
- Labyrinth with air seal
- Grease lubrication
- Sensors s1, s2, s3, s5
- Circular connector spindle side
- Taper cleaning

QD-2 8/12 40

HIGH SPEED

LEISTUNGEN / PERFORMANCES



OPTIONALES ZUBEHÖR / OPTIONS

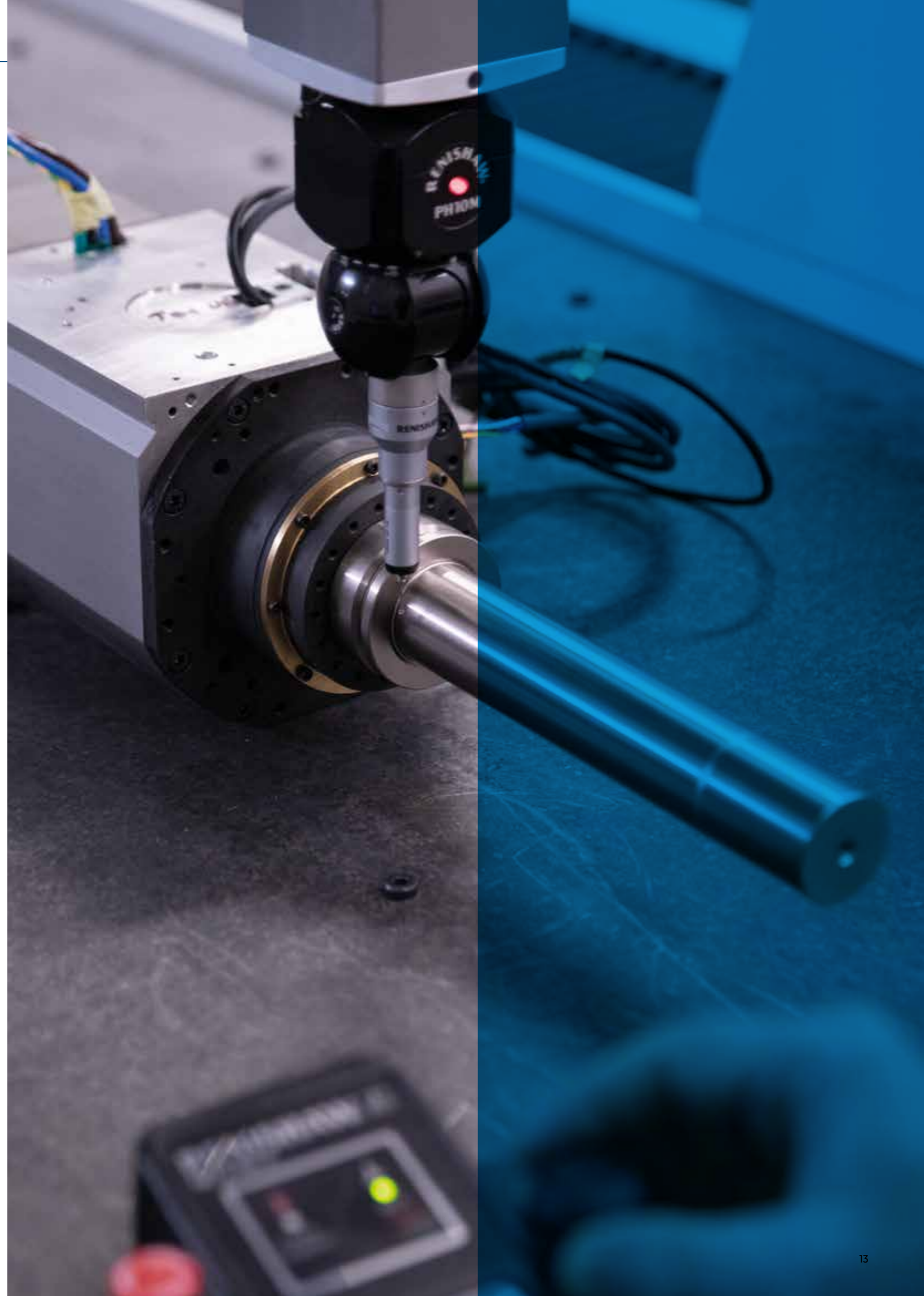
- Encoder 1Vpp or TTL
- Quick connection PP
- Vibration sensor
- Temperature sensor
- Bearings temperature monitoring
- Speed monitoring
- Circular connector cc machine side
- Anti-rotation sleeves

TECHNISCHE SPEZIFIKATIONEN / TECHNICAL SPECIFICATIONS

- Power: 8/9 kW
- Current: 24/26 A
- Pol es: 4
- Supply: inverter
- Torque: 6.4/7.2 Nm
- Voltage: 380 Volt
- Speed: 40000 rpm
- Weight: 17 kg

AUSRÜSTUNG / EQUIPMENT

- HSK 32E
- Liquid cooling
- Double effect pneumatic cylinder
- Automatic tool change (A.T.C.)
- Ceramic ball bearings
- Labyrinth with air seal
- Grease lubrication
- Sensors s1, s2, s3, s5
- Circular connector spindle side
- Taper cleaning

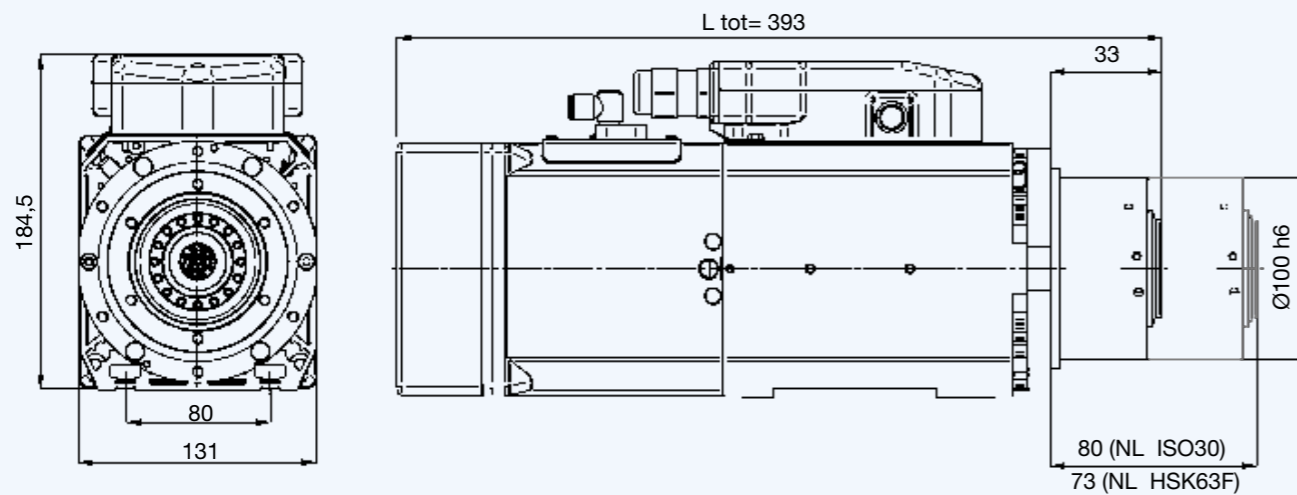


POWERTECH 300 COMPACT



SUITABLE FOR MACHINING WOOD, ALUMINUM AND PLASTICS
REDUCED SPACE REQUIRED
AVAILABLE WITH ISO 30, HSK 63F AND DUAL VOLTAGE
CERAMIC BEARINGS

LAYOUT ISO30 CB

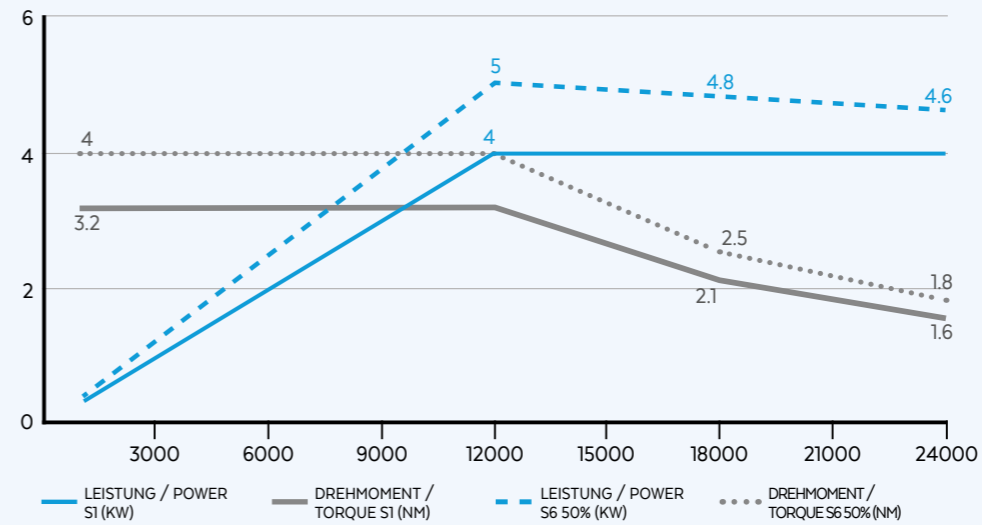


WEITERE LAYOUTS / OTHER LAYOUTS

	ΔL	L tot
Druckluft / Compressed air	ISO30= -44 mm	349 mm
	HSK63F= -44 mm	349 mm

QE-1F 4/12 24

LEISTUNGEN / PERFORMANCES



OPTIONALES ZUBEHÖR / OPTIONS

- Encoder TVpp or TTL
- Circular connector CC
- Sensor s5
- Compressed air cooling
- Dual voltage 220V-380V
- Bearings temperature monitoring
- Speed monitoring
- Vibration sensor
- HSK 63F
- Anti-rotation sleeves

TECHNISCHE SPEZIFIKATIONEN / TECHNICAL SPECIFICATIONS

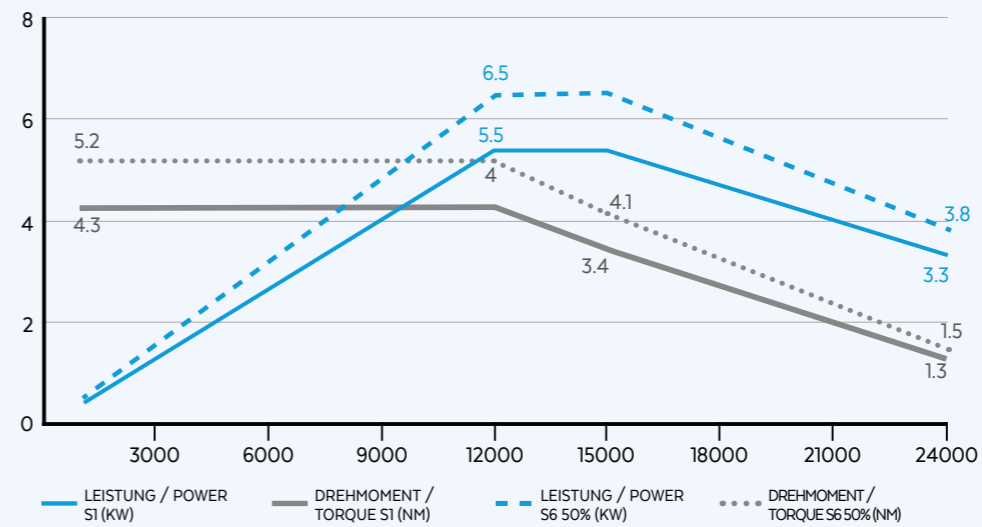
- S1-S6 kW** 4/5
- S1-S6 Nm** 3.2/4
- rpm** 24000
- S1-S6 A** 8.5/10
- Volt** 380
- kg** 19
- Pol es** 2
- Supply** inverter

AUSRÜSTUNG / EQUIPMENT

- ISO 30
- Ceramic ball bearings
- Grease lubrication
- Electrofan cooling
- Labyrinth with air seal
- Single effect pneumatic cylinder
- Sensors s1, s2, s3
- Automatic tool change (A.T.C)
- Taper cleaning

QE-1F 5.5/12 24

LEISTUNGEN / PERFORMANCES



OPTIONALES ZUBEHÖR / OPTIONS

- Encoder TVpp or TTL
- Circular connector CC
- Sensor s5
- Compressed air cooling
- Dual voltage 220V-380V
- Bearings temperature monitoring
- Speed monitoring
- Vibration sensor
- HSK 63F
- Anti-rotation sleeves

TECHNISCHE SPEZIFIKATIONEN / TECHNICAL SPECIFICATIONS

- S1-S6 kW** 5.5/6.5
- S1-S6 Nm** 4.3/5.2
- rpm** 24000
- S1-S6 A** 11/13
- Volt** 380
- kg** 19
- Pol es** 4
- Supply** inverter

AUSRÜSTUNG / EQUIPMENT

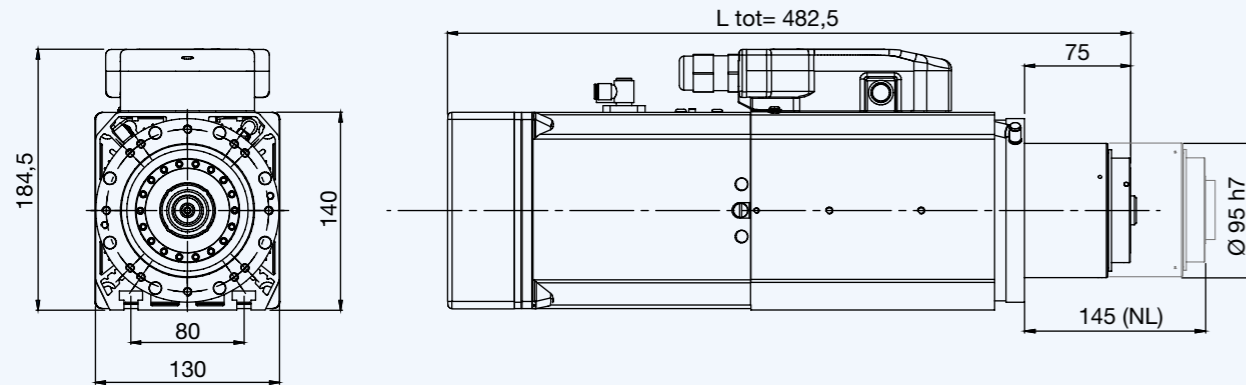
- ISO 30
- Ceramic ball bearings
- Grease lubrication
- Electrofan cooling
- Labyrinth with air seal
- Single effect pneumatic cylinder
- Sensors s1, s2, s3
- Automatic tool change (A.T.C)
- Taper cleaning

POWERTECH 300



SUITABLE FOR MACHINING WOOD, PLASTICS AND COMPOSITES
WIDE RANGE OF POWER FOR ANY TYPE OF MACHINING
AVAILABLE WITH LIQUID COOLING FOR HEAVY AND INTENSIVE PROCESSES
EASY MAINTENANCE

LAYOUT HSK 63F CB

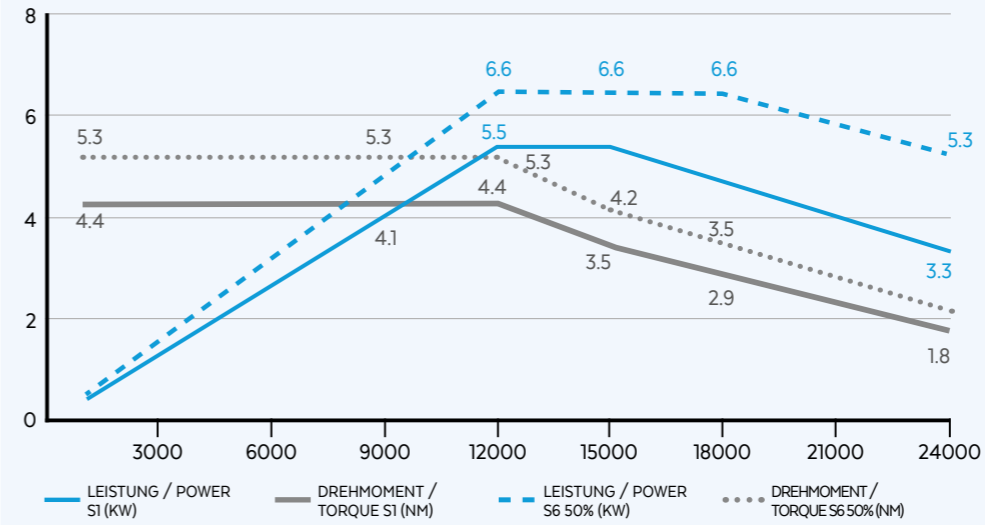


WEITERE LAYOUTS / OTHER LAYOUTS

	ΔL	L _{tot}
ISO 30	+6,9 mm	489,4 mm
Druckluft / Compressed air	ISO30= -44 mm	438,5 mm
	HSK63F= -44 mm	438,5 mm
Encoder (1 Vpp or TTL)	ISO30= +7 mm	496,4 mm
	HSK= +7 mm	489,5 mm

QE-1F 5.5/12 24

LEISTUNGEN / PERFORMANCES



OPTIONALES ZUBEHÖR / OPTIONS

- Encoder 1Vpp or TTL
- Circular connector CC
- Plug & Play
- Long nose
- Air tool
- ISO 30
- Anti-rotation sleeves
- Bearings temperature monitoring
- Speed monitoring
- Vibration sensor
- C-AXES available
- iSPINDLE
- Compressed air cooling

TECHNISCHE SPEZIFIKATIONEN / TECHNICAL SPECIFICATIONS

- Power: 5.5/6.6 kW
- Torque: 4.4/5.3 Nm
- Speed: 24000 rpm
- Current: 13.5/14.5 A
- Voltage: 380 Volt
- Weight: 21 kg
- 4 Poles
- inverter supply

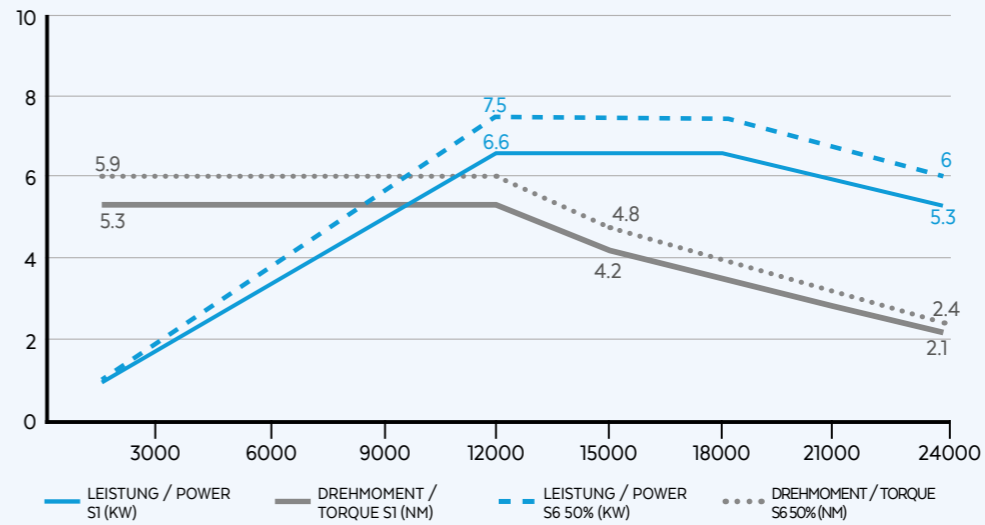
AUSRÜSTUNG / EQUIPMENT

- HSK 63F
- Ceramic ball bearings
- Taper cleaning
- Electrofan cooling
- Labyrinth with air seal
- Grease lubrication

- Double effect pneumatic cylinder
- Sensors s1, s2, s3, s5
- Automatic tool change (A.T.C)

QE-1F 6.6/12 24

LEISTUNGEN / PERFORMANCES



OPTIONALES ZUBEHÖR / OPTIONS

- Encoder 1Vpp or TTL
- Circular connector CC
- Plug & Play
- Long nose
- Air tool
- ISO 30
- Dual voltage 220V-380V
- Anti-rotation sleeves
- Bearings temperature monitoring
- Speed monitoring
- Vibration sensor
- C-AXES available
- Compressed air cooling
- iSPINDLE

TECHNISCHE SPEZIFIKATIONEN / TECHNICAL SPECIFICATIONS

- Power: 6.6/7.5 kW
- Torque: 5.3/5.9 Nm
- Speed: 24000 rpm
- Current: 14.5/16 A
- Voltage: 380 Volt
- Weight: 21 kg
- 4 Poles
- inverter supply

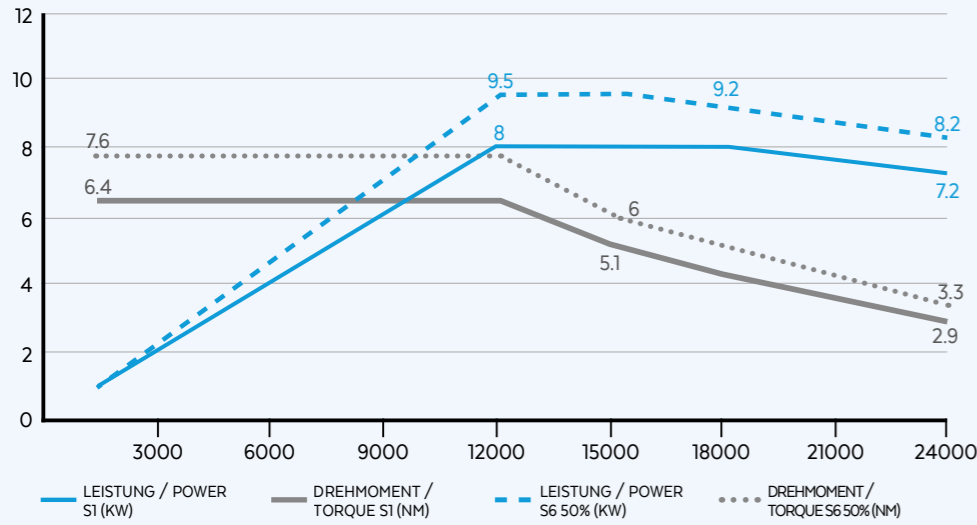
AUSRÜSTUNG / EQUIPMENT

- HSK 63F
- Ceramic ball bearings
- Taper cleaning
- Electrofan cooling
- Grease lubrication

- Double effect pneumatic cylinder
- Labyrinth with air seal
- Sensors s1, s2, s3, s5
- Automatic tool change (A.T.C)

QE-1F 8/12 24

LEISTUNGEN / PERFORMANCES



OPTIONALES ZUBEHÖR / OPTIONS

- Circular connector CC
- Quick connection PP
- Long nose
- Air tool
- Encoder 1Vpp or TTL
- ISO 30
- Dual voltage 220V-380V
- Bearings temperature monitoring
- Speed monitoring
- Vibration sensor
- C-axis available
- Compressed air cooling
- iSPINDLE
- Anti-rotation sleeves

TECHNISCHE SPEZIFIKATIONEN / TECHNICAL SPECIFICATIONS

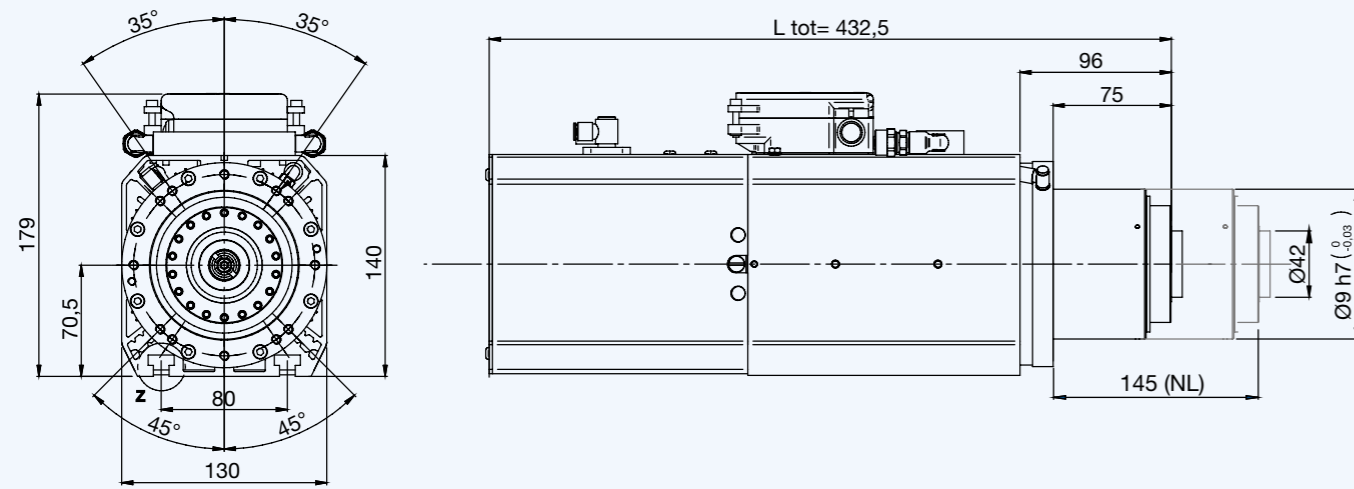
S1-S6 kW 8/9.5
S1-S6 Nm 6.4/7.6
rpm 24000
S1-S6 A 18.5/20.5
Volt 380
kg 21
Pol es 4
Supply inverter

AUSRÜSTUNG / EQUIPMENT

HSK 63F
Ceramic ball bearings
Grease lubrication
Electrofan cooling
Labyrinth with air seal
Double effect pneumatic cylinder
Sensors s1, s2, s3, s5
Automatic tool change (A.T.C)
Taper cleaning

LAYOUT ISO 30 PP

LIQUID



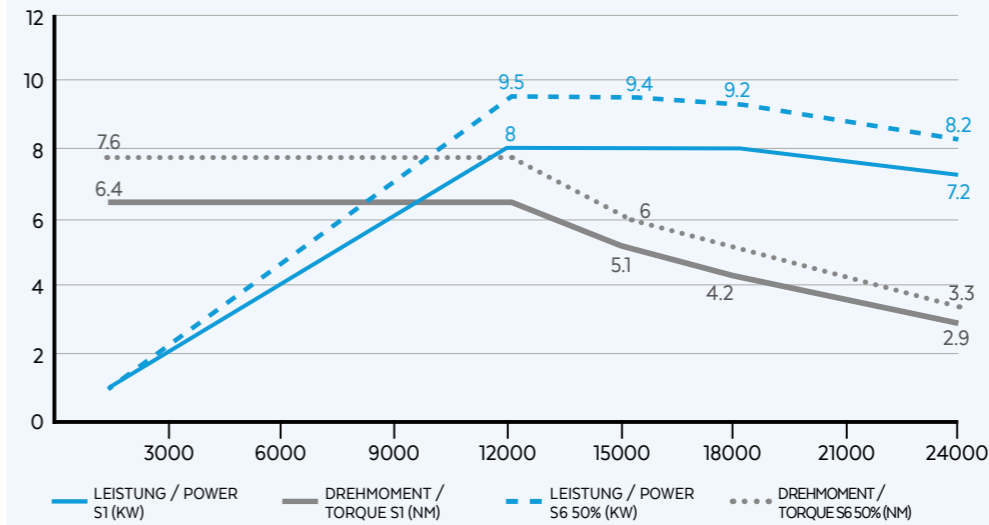
WEITERE LAYOUTS / OTHER LAYOUTS

	ΔL	L tot
Encoder (1Vpp or TTL)	ISO30= +7 mm	439,5 mm
HSK63F	0 mm	432,5 mm

QE-2 8/12 24

LIQUID

LEISTUNGEN / PERFORMANCES



OPTIONALES ZUBEHÖR / OPTIONS

- Encoder 1Vpp or TTL
- Long nose
- Air tool
- iSPINDLE
- Anti-rotation sleeves
- Bearings temperature monitoring
- Speed monitoring
- Vibration sensor
- C-axis available
- HSK 63F

TECHNISCHE SPEZIFIKATIONEN / TECHNICAL SPECIFICATIONS

S1-S6 kW 8/9.5
S1-S6 Nm 6.4/7.6
rpm 24000
S1-S6 A 18.5/20.5
Volt 380
kg 21
Pol es 4
Supply inverter

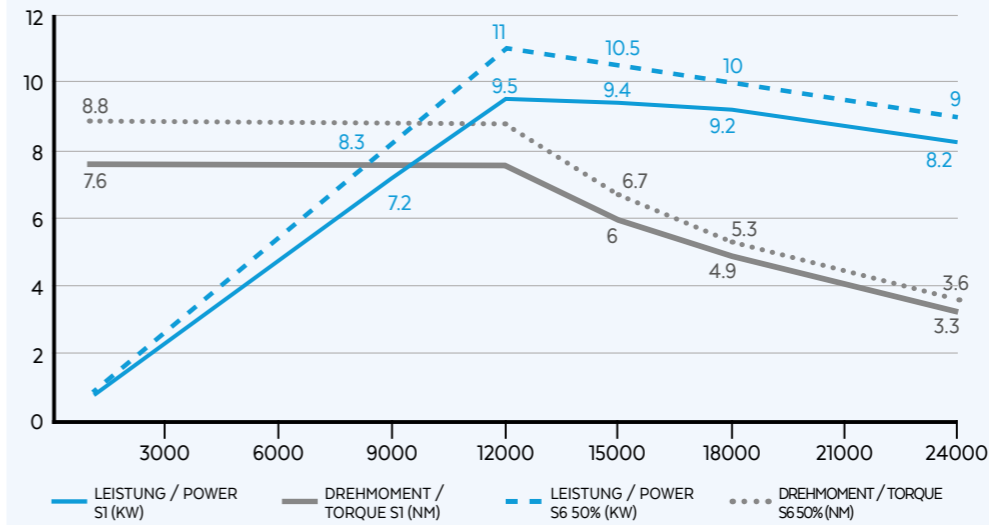
AUSRÜSTUNG / EQUIPMENT

ISO 30
Ceramic ball bearings
Taper cleaning
Liquid cooling
Labyrinth with air seal
Quick connection PP
Double effect pneumatic cylinder
Sensors s1, s2, s3, s5
Automatic tool change (A.T.C)
Grease lubrication

QE-2 9,5/12 24

LIQUID

LEISTUNGEN / PERFORMANCES



OPTIONALES ZUBEHÖR / OPTIONS

- Encoder 1Vpp or TTL
- Long nose
- Air tool
- iSPINDLE
- Anti-rotation sleeves
- Bearings temperature monitoring
- Speed monitoring
- Vibration sensor
- C-axis available
- HSK 63F

TECHNISCHE SPEZIFIKATIONEN / TECHNICAL SPECIFICATIONS

S1-S6 kW 9.5/11
S1-S6 Nm 7.6/8.8
rpm 24000
S1-S6 A 20.5/23
Volt 380
kg 21
Pol es 4
Supply inverter

AUSRÜSTUNG / EQUIPMENT

ISO 30
Ceramic ball bearings
Taper cleaning
Liquid cooling
Labyrinth with air seal
Quick connection PP
Double effect pneumatic cylinder
Sensors s1, s2, s3, s5
Automatic tool change (A.T.C)
Grease lubrication

POWERTECH 400 HIGH SPEED

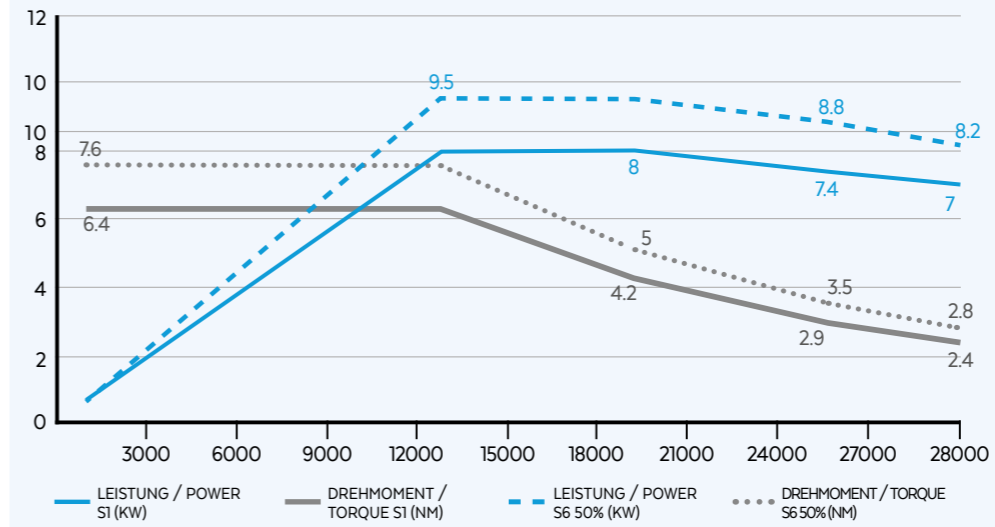


SUITABLE FOR MACHINING ALUMINUM AND COMPOSITES
LONG NOSE DESIGN TO GUARANTEE STRONG RIGIDITY
AIR COOLED SPINDLES WITH HIGH SPEED UP TO 28K RPM FOR FASTER FEED RATES
AVAILABLE WITH ISO 30, HSK 63F AND DUAL VOLTAGE

QE-1F 8/12 28

HIGH SPEED

LEISTUNGEN / PERFORMANCES



OPTIONALES ZUBEHÖR / OPTIONS

- Encoder 1Vpp or TTL
- ISO 30
- Air tool
- Quick connection PP
- Dual voltage 220V-380V
- iSPINDLE
- Bearings temperature monitoring
- Speed monitoring
- Vibration sensor
- C-AXES available
- Circular connector cc machine side

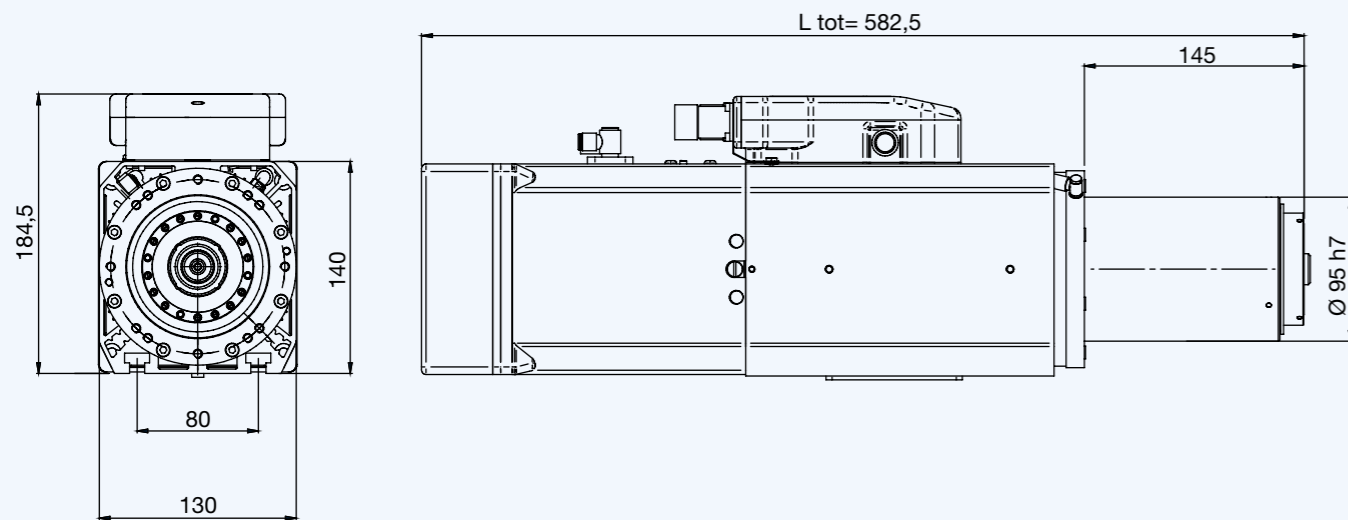
TECHNISCHE SPEZIFIKATIONEN / TECHNICAL SPECIFICATIONS

- S1-S6 kW 8/9
- S1-S6 Nm 6.4/7.6
- rpm 28000
- S1-S6 A 17/19
- Volt 380
- kg 25
- Pol es 4
- Supply inverter

AUSRÜSTUNG / EQUIPMENT

- HSK 63F
- Ceramic ball bearings
- Circular connector spindle side
- Electrofan cooling
- Labyrinth with air seal
- Taper cleaning
- Double effect pneumatic cylinder
- Sensors s1, s2, s3, s5
- Automatic tool change (A.T.C)
- Grease lubrication

LAYOUT HSK 63F CC



WEITERE LAYOUTS / OTHER LAYOUTS

	ΔL	L tot
ISO 30	+6,9 mm	589,4 mm
Encoder (1Vpp or TTL)	+7 mm	589,5 mm

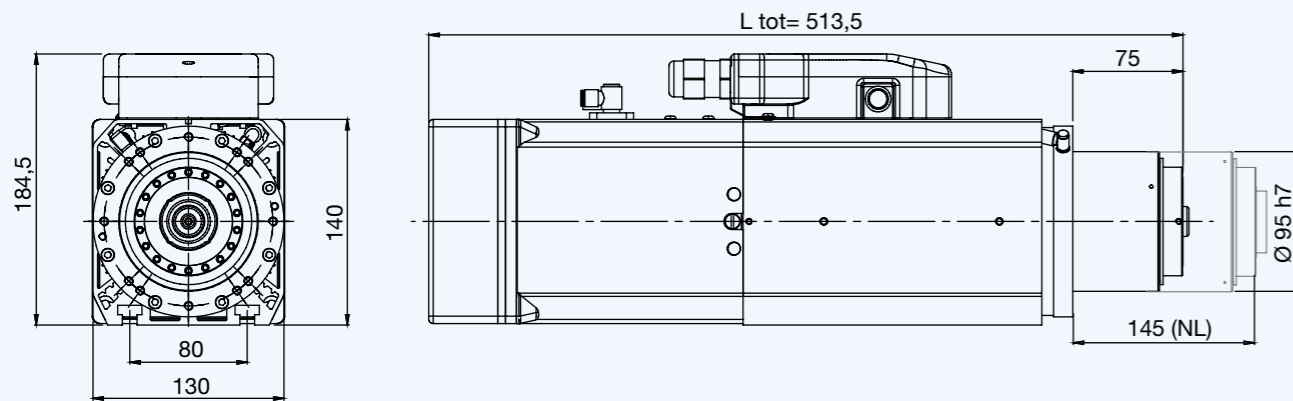


POWERTECH 400



SUITABLE FOR MACHINING WOOD AND ALUMINUM
WIDE RANGE OF POWER UP TO 16 KW. HIGH TORQUE VERSIONS AVAILABLE
AVAILABLE WITH LIQUID COOLING FOR HEAVY AND INTENSIVE PROCESSES
EASY MAINTENANCE

LAYOUT HSK 63F CB



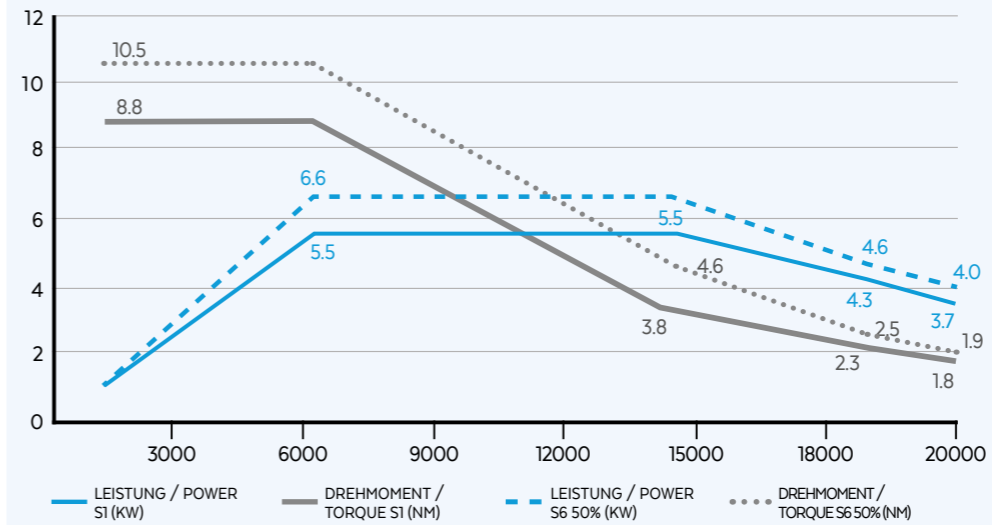
WEITERE LAYOUTS / OTHER LAYOUTS

	ΔL	L tot
ISO 30	+6,9 mm	520,6 mm
Druckluft / Compressed air	ISO30= -44 mm HSK63F= -44 mm	469,5 mm
Encoder (1Vpp or TTL)	+7 mm +7 mm	520,5 mm 470,5 mm

QE-1F 5.5/6 20

HIGH TORQUE

LEISTUNGEN / PERFORMANCES



OPTIONALES ZUBEHÖR / OPTIONS

- Encoder 1Vpp or TTL
- Circular connector CC
- Quick connection PP
- Air tool
- Long nose
- ISO 30
- Anti-rotation sleeves
- Bearings temperature monitoring
- Speed monitoring
- Vibration sensor
- C-AXES available
- iSPINDLE
- Compressed AIR cooling

TECHNISCHE SPEZIFIKATIONEN / TECHNICAL SPECIFICATIONS

- S1-S6 kW 5.5/6.6
- S1-S6 Nm 8.8/10.5
- rpm 20000
- S1-S6 A 12/13
- Volt 380
- kg 24
- Pol es 4
- Supply inverter

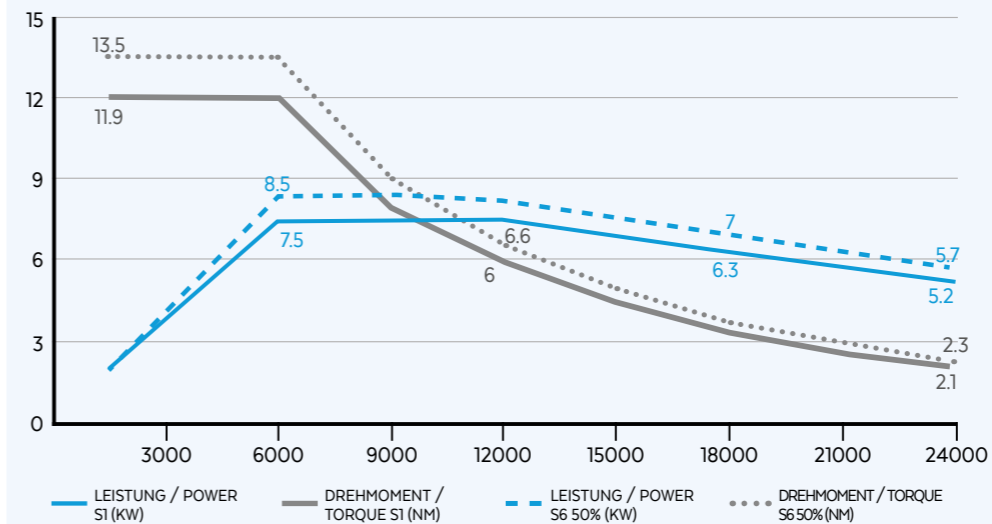
AUSRÜSTUNG / EQUIPMENT

- HSK 63F
- Ceramic ball bearings
- Taper cleaning
- Electrofan cooling
- Labyrinth with air seal
- Double effect pneumatic cylinder
- Sensors s1, s2, s3, s5
- Automatic tool change (A.T.C)
- Grease lubrication

QE-1F 7.5/6 24

HIGH TORQUE

LEISTUNGEN / PERFORMANCES



OPTIONALES ZUBEHÖR / OPTIONS

- Encoder 1Vpp or TTL
- Circular connector CC
- Quick connection PP
- Air tool
- Long nose
- ISO 30
- Bearings temperature monitoring
- Speed monitoring
- Vibration sensor
- C-AXES available
- iSPINDLE
- Anti-rotation sleeves

TECHNISCHE SPEZIFIKATIONEN / TECHNICAL SPECIFICATIONS

- S1-S6 kW 7.5/8.5
- S1-S6 Nm 11.9/13.5
- rpm 24000
- S1-S6 A 19.5/21.5
- Volt 380
- kg 24
- Pol es 4
- Supply inverter

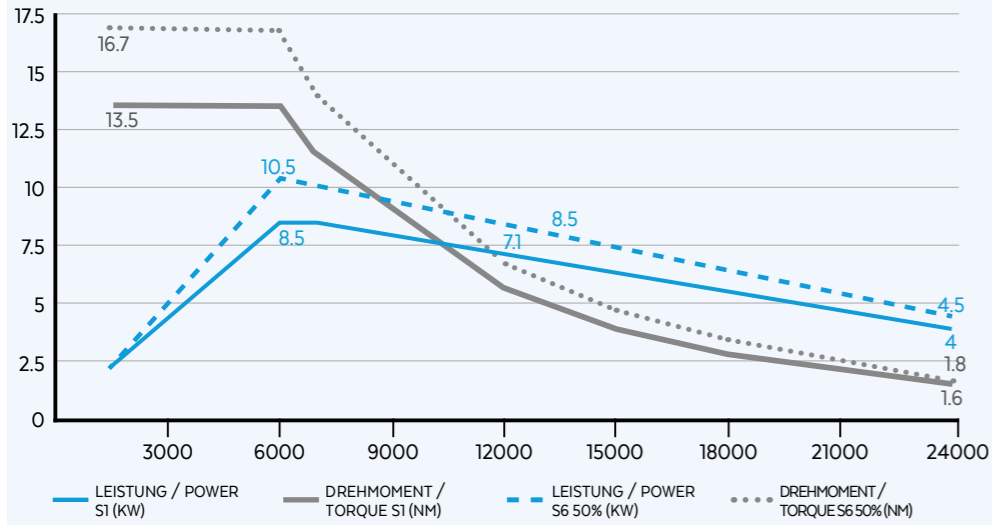
AUSRÜSTUNG / EQUIPMENT

- HSK 63F
- Ceramic ball bearings
- Taper cleaning
- Electrofan cooling
- Labyrinth with air seal
- Double effect pneumatic cylinder
- Sensors s1, s2, s3, s5
- Automatic tool change (A.T.C)
- Grease lubrication

QE-1F 8.5/6 24

HIGH TORQUE

LEISTUNGEN / PERFORMANCES



OPTIONALES ZUBEHÖR / OPTIONS

- Encoder 1Vpp or TTL
- Circular connector CC
- Quick connection PP
- Long nose
- Air tool
- Voltage 220V
- Anti-rotation sleeves
- Bearings temperature monitoring
- Speed monitoring
- Vibration sensor
- C-axes available
- ISO 30
- iSPINDLE

TECHNISCHE SPEZIFIKATIONEN / TECHNICAL SPECIFICATIONS

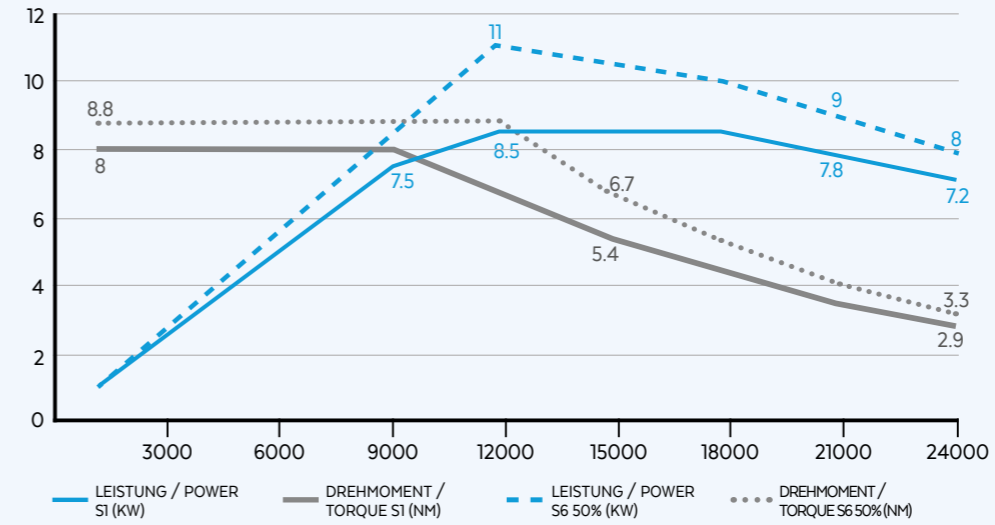
- Power: 8.5/10.5 kW
- Current: 20/25 A
- Pol es: 4
- Supply: inverter
- Torque: 13.5/16.7 Nm
- Voltage: 380 Volt
- Speed: 24000 rpm
- Weight: 24 kg

AUSRÜSTUNG / EQUIPMENT

- HSK 63F
- Electrofan cooling
- Double effect pneumatic cylinder
- Automatic tool change (A.T.C)
- Ceramic ball bearings
- Labyrinth with air seal
- Sensors s1, s2, s3, s5
- Grease lubrication
- Taper cleaning

QE-1F 8.5/12 24

LEISTUNGEN / PERFORMANCES



OPTIONALES ZUBEHÖR / OPTIONS

- Encoder 1Vpp or TTL
- Circular connector CC
- Quick connection PP
- Long nose
- Air tool
- Voltage 220V
- Dual voltage 220V-380V
- Anti-rotation sleeves
- Bearings temperature monitoring
- Speed monitoring
- Vibration sensor
- C-axes available
- Compressed air cooling
- ISO 30
- iSPINDLE

TECHNISCHE SPEZIFIKATIONEN / TECHNICAL SPECIFICATIONS

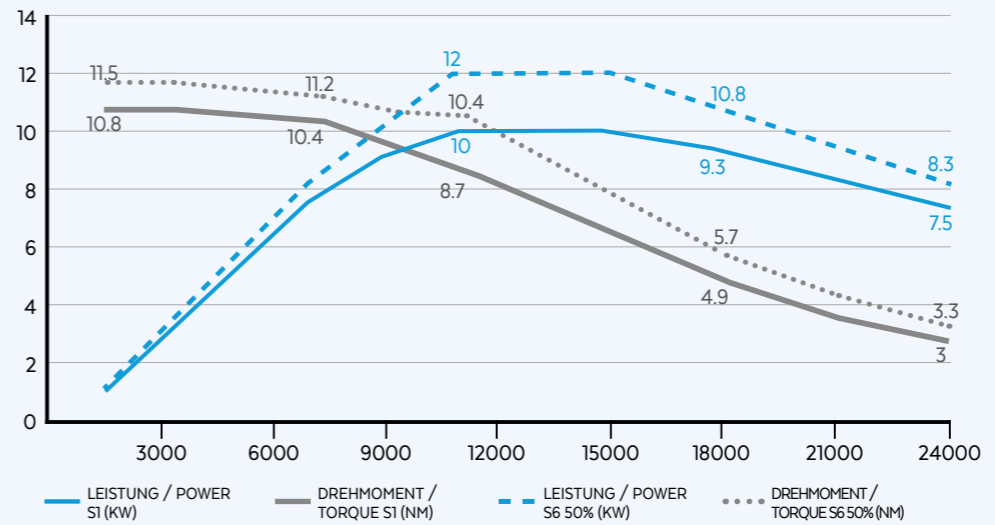
- Power: 8/9.5 kW
- Current: 22/23 A
- Pol es: 4
- Supply: inverter
- Torque: 6.4/7.6 Nm
- Voltage: 380 Volt
- Speed: 24000 rpm
- Weight: 21 kg

AUSRÜSTUNG / EQUIPMENT

- HSK 63F
- Electrofan cooling
- Double effect pneumatic cylinder
- Automatic tool change (A.T.C)
- Ceramic ball bearings
- Labyrinth with air seal
- Sensors s1, s2, s3, s5
- Grease lubrication
- Taper cleaning

QE-1F 10/11 24

LEISTUNGEN / PERFORMANCES



OPTIONALES ZUBEHÖR / OPTIONS

- Encoder 1Vpp or TTL
- Circular connector CC
- Quick connection PP
- ISO 30
- Voltage 220V
- Air tool
- Dual voltage 220V-380V
- Anti-rotation sleeves
- Bearings temperature monitoring
- Speed monitoring
- Vibration sensor
- C-axes available
- Long nose
- iSPINDLE
- Compressed air cooling

TECHNISCHE SPEZIFIKATIONEN / TECHNICAL SPECIFICATIONS

- Power: 10/12 kW
- Current: 25/27 A
- Pol es: 4
- Supply: inverter
- Torque: 10.8/11.5 Nm
- Voltage: 380 Volt
- Speed: 24000 rpm
- Weight: 23 kg

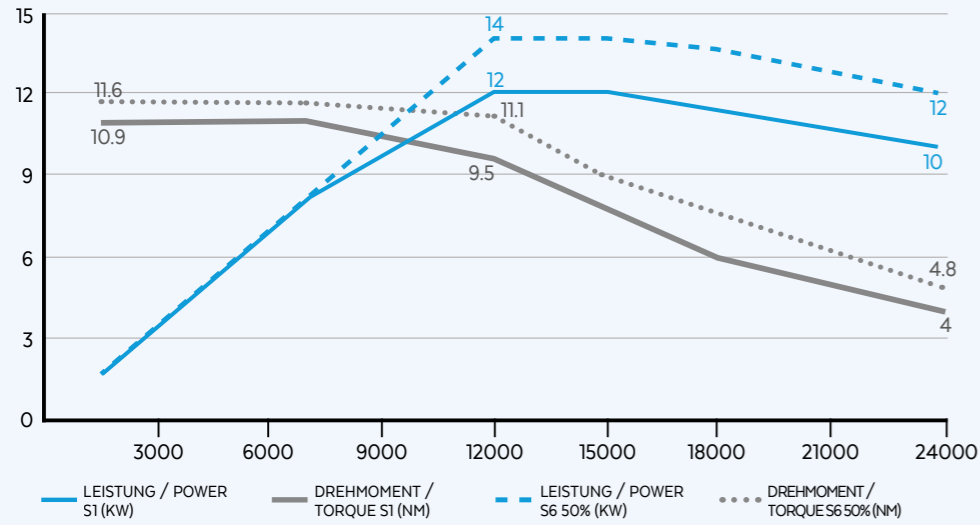
AUSRÜSTUNG / EQUIPMENT

- HSK 63F
- Electrofan cooling
- Double effect pneumatic cylinder
- Automatic tool change (A.T.C)
- Ceramic ball bearings
- Labyrinth with air seal
- Sensors s1, s2, s3, s5
- Grease lubrication
- Taper cleaning



QE-1F 12/12 24

LEISTUNGEN / PERFORMANCES



OPTIONALES ZUBEHÖR / OPTIONS

- Encoder TVpp or TTL
- Circular connector CC
- Quick connection PP
- Air tool
- Long nose
- Anti-rotation sleeves
- Bearings temperature monitoring
- Speed monitoring
- Vibration sensor
- C-axis available
- iSPINDLE

TECHNISCHE SPEZIFIKATIONEN / TECHNICAL SPECIFICATIONS

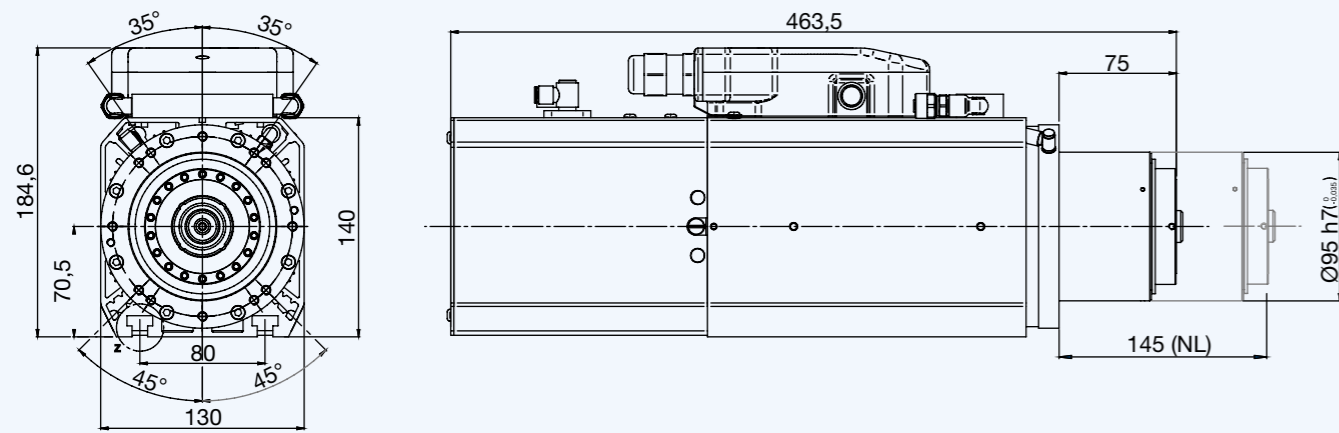
S1-S6 kW 12/14
S1-S6 A 23/27
Pol es 4
S1-S6 Nm 10.9/11.6
Volt 380
Supply inverter
rpm 24000
kg 23

AUSRÜSTUNG / EQUIPMENT

HSK 63F
 Electrofan cooling
 Double effect pneumatic cylinder
 Automatic tool change (A.T.C.)
 Ceramic ball bearings
 Sensors s1, s2, s3, s5
 Grease lubrication
 Taper cleaning
 Labyrinth with air seal

LAYOUT HSK 63F CB

LIQUID



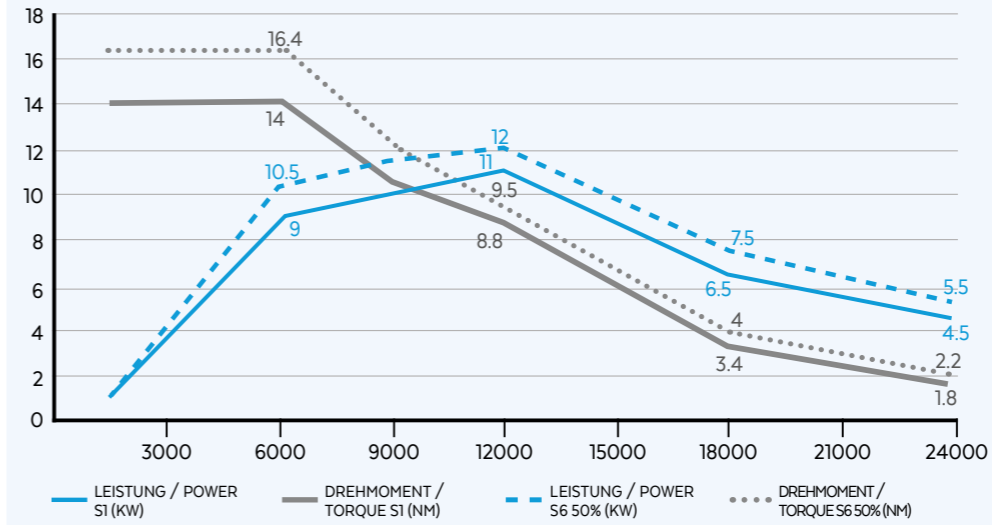
WEITERE LAYOUTS / OTHER LAYOUTS

	ΔL	L tot
Encoder (1 Vpp or TTL)	+7 mm	470,5 mm
ISO 30	+7 mm	470,5 mm

QE-2 9/6 24

LIQUID HIGH TORQUE

LEISTUNGEN / PERFORMANCES



OPTIONALES ZUBEHÖR / OPTIONS

- Encoder TVpp or TTL
- Circular connector CC
- Quick connection PP
- Air tool
- Long nose
- iSPINDLE
- Bearings temperature monitoring
- Speed monitoring
- Vibration sensor
- C-axis available
- Anti-rotation sleeves

TECHNISCHE SPEZIFIKATIONEN / TECHNICAL SPECIFICATIONS

S1-S6 kW 9/10.5
S1-S6 A 20/22.5
Pol es 4
S1-S6 Nm 14/16.4
Volt 380
Supply inverter
rpm 24000
kg 23

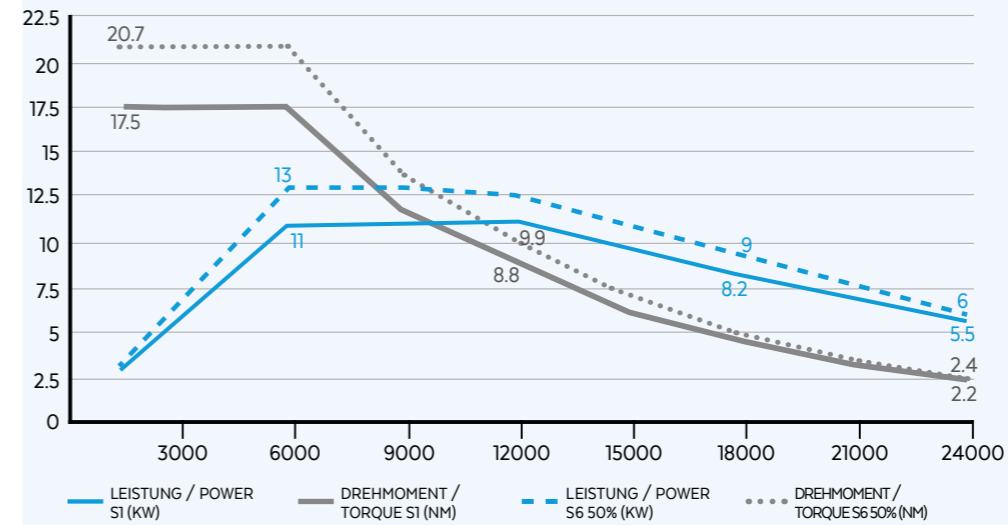
AUSRÜSTUNG / EQUIPMENT

HSK 63F
 Liquid cooling
 Double effect pneumatic cylinder
 Automatic tool change (A.T.C.)
 Ceramic ball bearings
 Labyrinth with air seal
 Sensors s1, s2, s3, s5
 Grease lubrication
 Taper cleaning

QE-2 11/6 24

LIQUID HIGH TORQUE

LEISTUNGEN / PERFORMANCES



OPTIONALES ZUBEHÖR / OPTIONS

- Encoder TVpp or TTL
- Circular connector CC
- Quick connection PP
- Air tool
- Long nose
- Anti-rotation sleeves
- Bearings temperature monitoring
- Speed monitoring
- Vibration sensor
- C-axis available
- iSPINDLE

TECHNISCHE SPEZIFIKATIONEN / TECHNICAL SPECIFICATIONS

S1-S6 kW 11/13
S1-S6 A 24/28
Pol es 4
S1-S6 Nm 17.5/20.7
Volt 380
Supply inverter
rpm 24000
kg 23

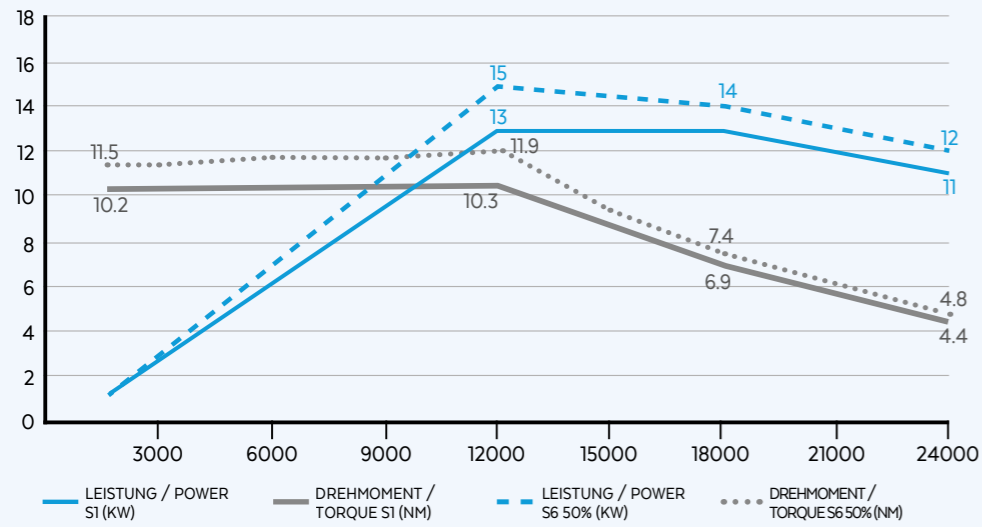
AUSRÜSTUNG / EQUIPMENT

HSK 63F
 Liquid cooling
 Double effect pneumatic cylinder
 Automatic tool change (A.T.C.)
 Ceramic ball bearings
 Labyrinth with air seal
 Sensors s1, s2, s3, s5
 Grease lubrication
 Taper cleaning

QE-2 13/12 24

LIQUID

LEISTUNGEN / PERFORMANCES



OPTIONALES ZUBEHÖR / OPTIONS

- Encoder 1 Vpp or TTL
- Circular connector CC
- Quick connection PP
- Air tool
- Long nose
- iSPINDLE
- Bearings temperature monitoring
- Speed monitoring
- Vibration sensor
- C-axes available
- Anti-rotation sleeves

TECHNISCHE SPEZIFIKATIONEN / TECHNICAL SPECIFICATIONS

- S1-S6 kW** 13/15
- S1-S6 Nm** 10.3/11.9
- rpm** 24000
- S1-S6 A** 28/31
- Volt** 380
- kg** 23
- Pol es** 4
- Supply** inverter

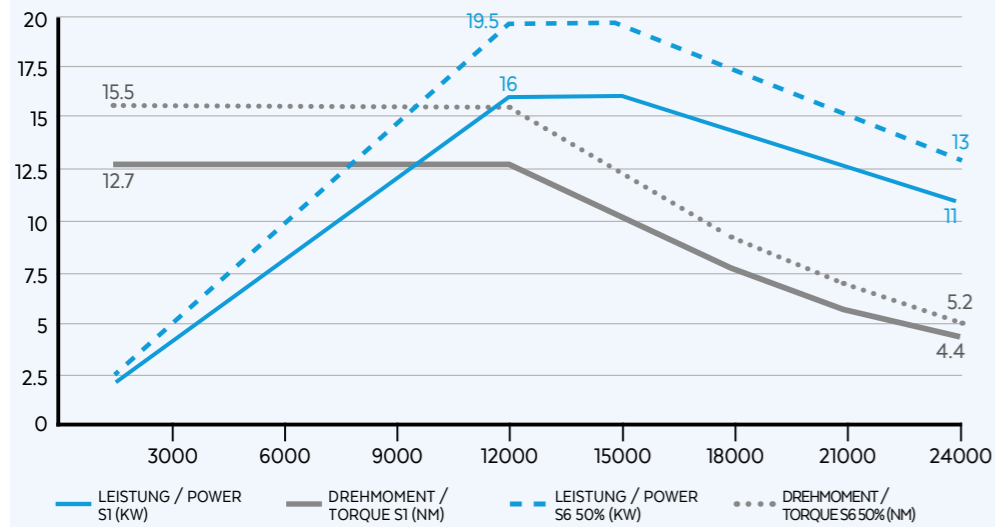
AUSRÜSTUNG / EQUIPMENT

- HSK 63F
- Liquid cooling
- Double effect pneumatic cylinder
- Automatic tool change (A.T.C.)
- Ceramic ball bearings
- Labyrinth with air seal
- Sensors s1, s2, s3, s5
- Grease lubrication
- Taper cleaning

QE-2 16/12 24

LIQUID

LEISTUNGEN / PERFORMANCES



OPTIONALES ZUBEHÖR / OPTIONALS

- Encoder 1 Vpp or TTL
- Quick connection PP
- Air tool
- Long nose
- iSPINDLE
- Bearings temperature monitoring
- Speed monitoring
- Vibration sensor
- C-axes available

TECHNISCHE SPEZIFIKATIONEN / TECHNICAL SPECIFICATIONS

- S1-S6 kW** 16/19.5
- S1-S6 Nm** 12.7/15.5
- rpm** 24000
- S1-S6 A** 31/36
- Volt** 380
- kg** 23
- Pol es** 4
- Supply** inverter

AUSRÜSTUNG / EQUIPMENT

- HSK 63F
- Liquid cooling
- Double effect pneumatic cylinder
- Automatic tool change (A.T.C.)
- Ceramic ball bearings
- Labyrinth with air seal
- Sensors s1, s2, s3, s5
- Grease lubrication
- Taper cleaning

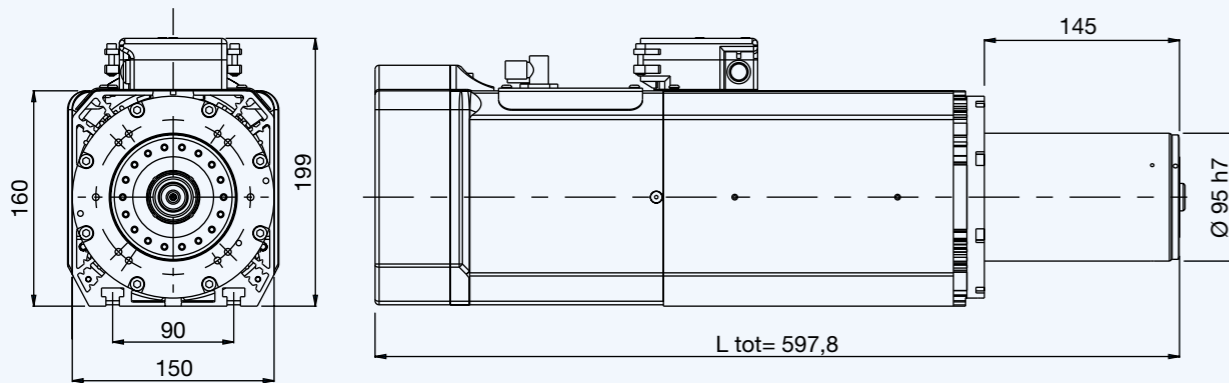


POWERTECH 500



SUITABLE FOR MACHINING WOOD AND ALUMINUM
 WIDE RANGE OF POWER UP TO 18 KW AND HIGH TORQUES FOR HEAVY MACHINING
 HSK 63E VERSIONS FOR WORKING WITH DOUBLE PROFILE TOOLS
 SUITABLE FOR MACHINING WOODEN WINDOWS AND DOORS
 AVAILABLE WITH LIQUID COOLING FOR INTENSIVE PROCESSES

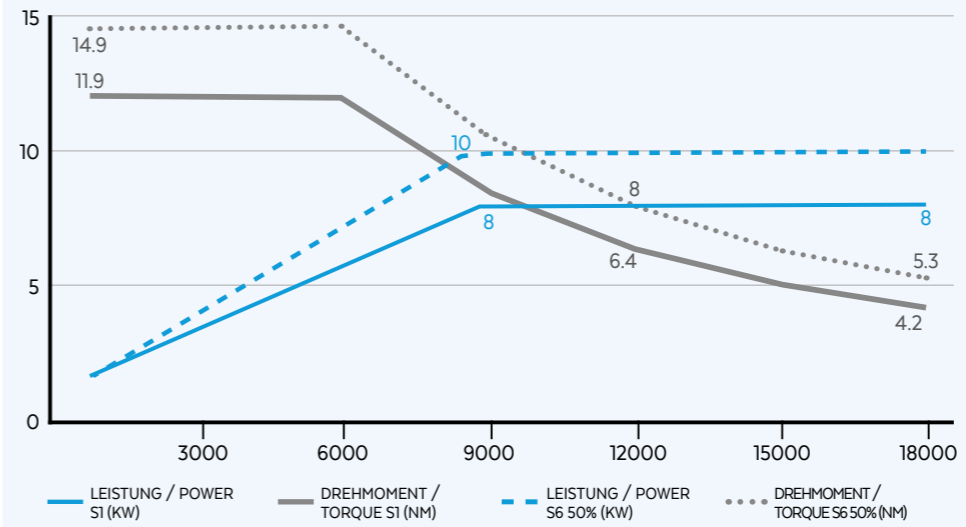
LAYOUT HSK 63F PP



QF-1F 8/9 18

HIGH TORQUE

LEISTUNGEN / PERFORMANCES



OPTIONALES ZUBEHÖR / OPTIONS

- Bearings temperature monitoring
- Vibration sensor
- Speed monitoring
- Plug & Play Quick connection pp machine side
- HSK 63E

TECHNISCHE SPEZIFIKATIONEN / TECHNICAL SPECIFICATIONS

- Power: 8/10 kW
- Torque: 11.9/14.6 Nm
- Speed: 18000 rpm
- Current: 20/24 A
- Voltage: 380 Volt
- Weight: 35 kg
- Poles: 4
- Supply: inverter

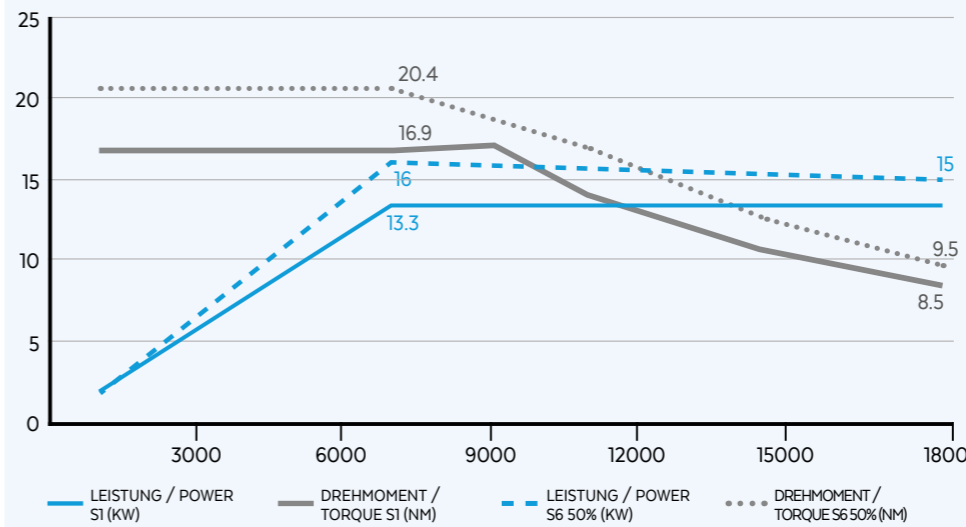
AUSRÜSTUNG / EQUIPMENT

- HSK 63F
- Ceramic ball bearings
- Taper cleaning
- Electrofan cooling
- Labyrinth with air seal
- Quick connection PP spindle side
- Double effect pneumatic cylinder
- Sensors s1, s2, s3
- Automatic tool change (A.T.C)
- Grease lubrication

QF-1F 13/7 18

HIGH TORQUE

LEISTUNGEN / PERFORMANCES



OPTIONALES ZUBEHÖR / OPTIONS

- Bearings temperature monitoring
- Vibration sensor
- Speed monitoring
- Plug & Play Quick connection pp machine side
- Temperature sensor
- HSK 63E

TECHNISCHE SPEZIFIKATIONEN / TECHNICAL SPECIFICATIONS

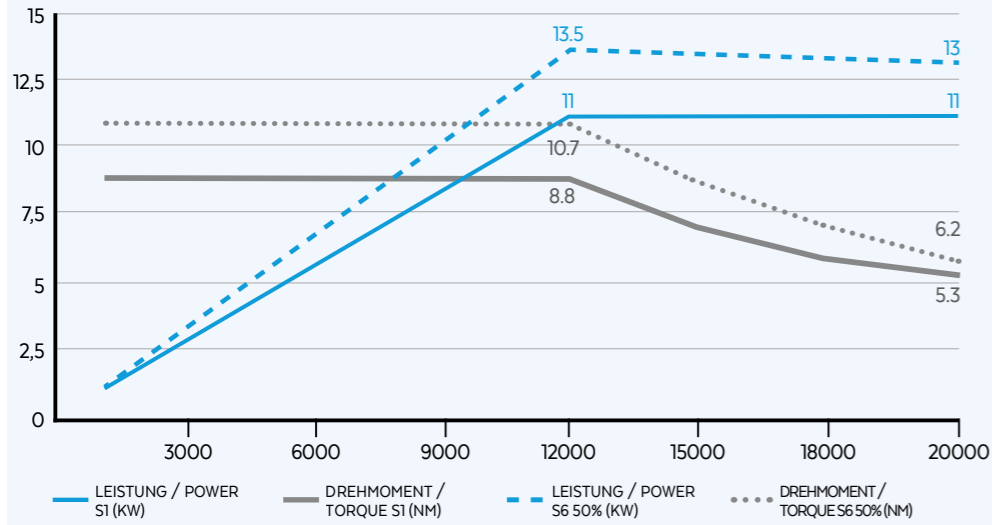
- Power: 13.3/16 kW
- Torque: 16.9/20.4 Nm
- Speed: 18000 rpm
- Current: 28/32 A
- Voltage: 380 Volt
- Weight: 35 kg
- Poles: 4
- Supply: inverter

AUSRÜSTUNG / EQUIPMENT

- HSK 63F
- Ceramic ball bearings
- Taper cleaning
- Electrofan cooling
- Labyrinth with air seal
- Quick connection PP spindle side
- Double effect pneumatic cylinder
- Sensors s1, s2, s3
- Automatic tool change (A.T.C)
- Grease lubrication

QF-1F 11/12 20

LEISTUNGEN / PERFORMANCES



OPTIONALES ZUBEHÖR / OPTIONS

- Bearings temperature monitoring
- Vibration sensor
- Speed monitoring
- Quick connection pp machine side

TECHNISCHE SPEZIFIKATIONEN / TECHNICAL SPECIFICATIONS

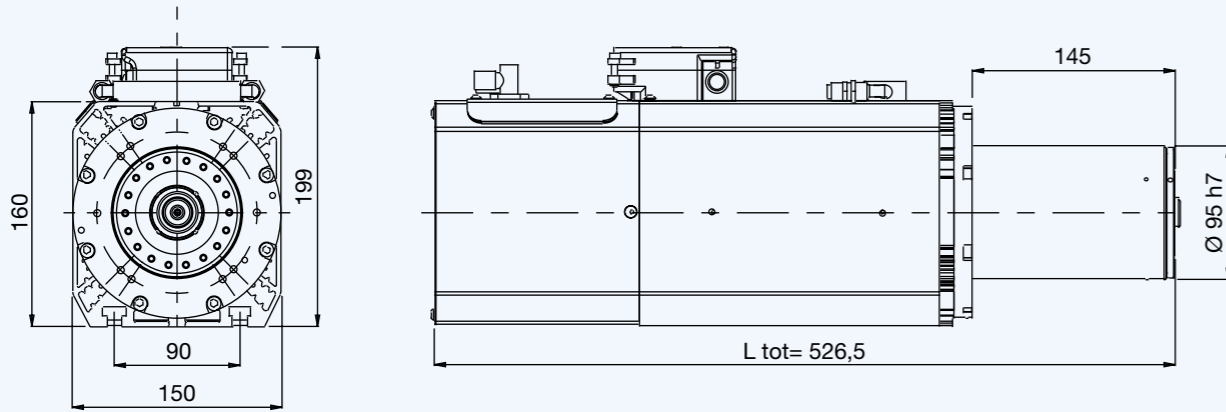
S1-S6 kW 11/13.5
S1-S6 A 28/32
Pol es 4
S1-S6 Nm 8.8/10.7
Volt 380
Supply inverter
rpm 20000
kg 35

AUSRÜSTUNG / EQUIPMENT

- HSK 63F
- Electrofan cooling
- Double effect pneumatic cylinder
- Automatic tool change (A.T.C.)
- Ceramic ball bearings
- Labyrinth with air seal
- Sensors s1, s2, s3
- Grease lubrication
- Taper cleaning
- Quick connection PP spindle side

LAYOUT HSK 63F PP

LIQUID



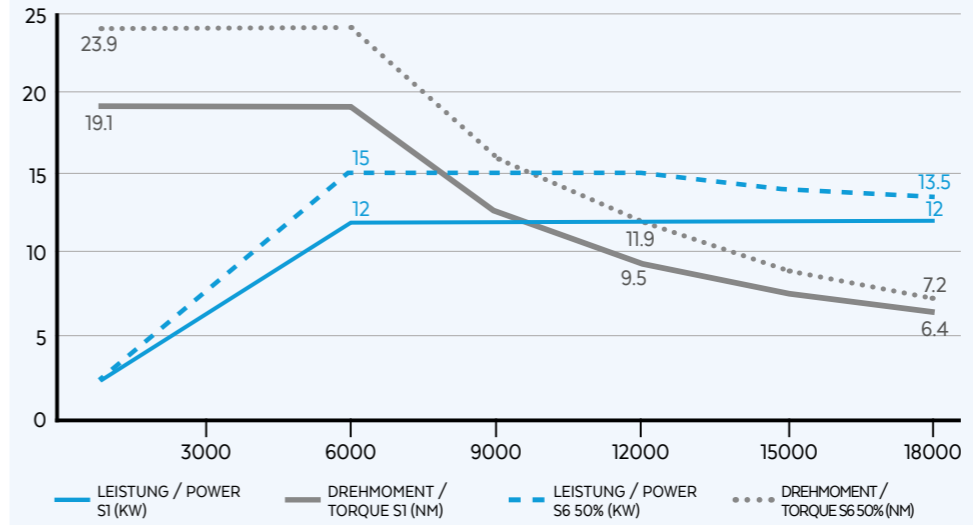
WEITERE LAYOUTS / OTHER LAYOUTS

	ΔL	L tot
HSK 63E	+21 mm	547,5 mm

QF-2 12/6 18

LIQUID HIGH TORQUE

LEISTUNGEN / PERFORMANCES



OPTIONALES ZUBEHÖR / OPTIONS

- Bearings temperature monitoring
- Vibration sensor
- Speed monitoring
- Quick connection pp machine side
- HSK 63E

TECHNISCHE SPEZIFIKATIONEN / TECHNICAL SPECIFICATIONS

S1-S6 kW 12/15
S1-S6 A 28/35
Pol es 4
S1-S6 Nm 19.1/23.9
Volt 380
Supply inverter
rpm 18000
kg 35

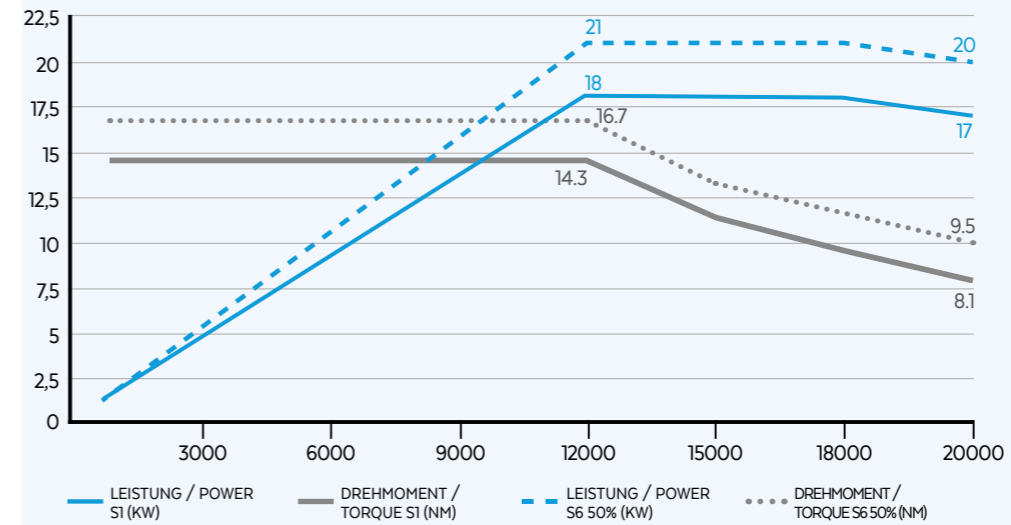
AUSRÜSTUNG / EQUIPMENT

- HSK 63F
- Liquid cooling
- Double effect pneumatic cylinder
- Automatic tool change (A.T.C.)
- Ceramic ball bearings
- Labyrinth with air seal
- Sensors s1, s2, s3
- Grease lubrication
- Taper cleaning
- Quick connection PP spindle side

QF-2 18/12 20

LIQUID

LEISTUNGEN / PERFORMANCES



OPTIONALES ZUBEHÖR / OPTIONS

- Bearings temperature monitoring
- Vibration sensor
- Speed monitoring
- Quick connection pp machine side
- HSK 63E

TECHNISCHE SPEZIFIKATIONEN / TECHNICAL SPECIFICATIONS

S1-S6 kW 18/21
S1-S6 A 36/41
Pol es 4
S1-S6 Nm 14.3/16.7
Volt 380
Supply inverter
rpm 20000
kg 35

AUSRÜSTUNG / EQUIPMENT

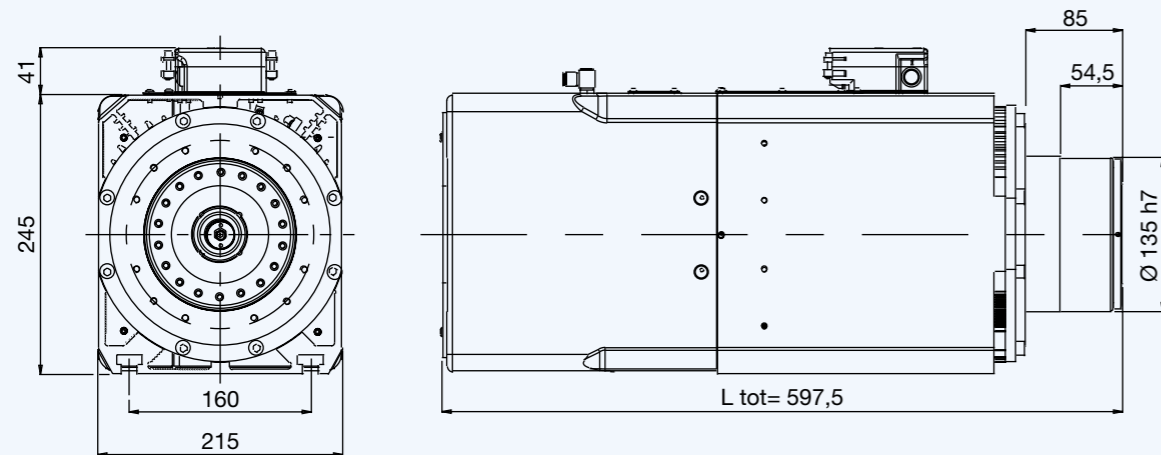
- HSK 63F
- Liquid cooling
- Double effect pneumatic cylinder
- Automatic tool change (A.T.C.)
- Ceramic ball bearings
- Labyrinth with air seal
- Sensors s1, s2, s3
- Grease lubrication
- Taper cleaning
- Quick connection PP spindle side

POWERTECH 600



SUITABLE FOR MACHINING WOOD AND ALUMINUM
POWER UP TO 18 KW AND HIGH TORQUES FOR HEAVY MACHINING
AIR COOLING
SUITABLE FOR HEAVY MACHINING ON WOODEN WINDOWS AND DOORS

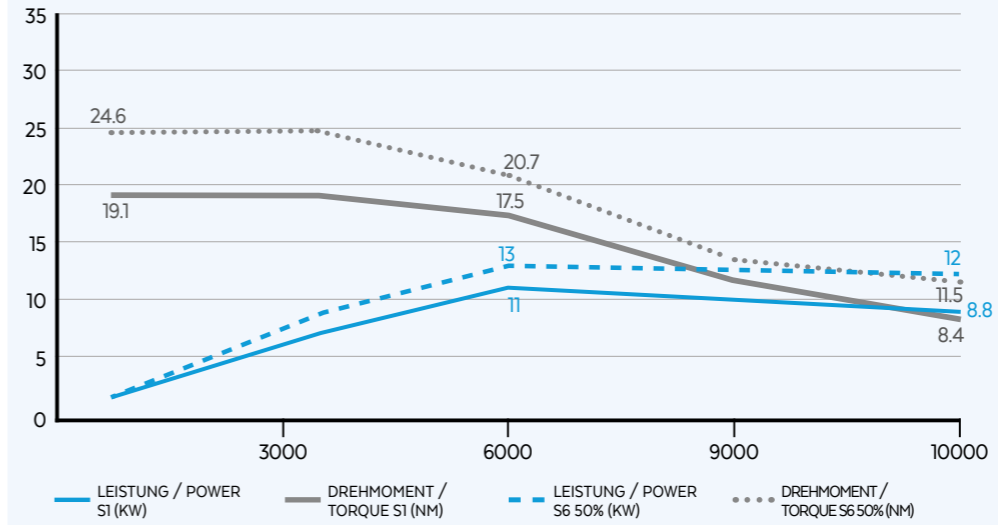
LAYOUT HSK 80F PP



QM-1F 11/6 10

HIGH TORQUE

LEISTUNGEN / PERFORMANCES



OPTIONALES ZUBEHÖR / OPTIONS

- IM Bearings temperature monitoring
- iS iSPINDLE
- IM² Speed monitoring
- IM Vibration sensor
- Plug & Play Quick connection pp machine side
- HSK 85S

TECHNISCHE SPEZIFIKATIONEN / TECHNICAL SPECIFICATIONS

- S1-S6 kW 11/13
- S1-S6 A 25/33
- Pol es 4
- S1-S6 Nm 19.1/24.6
- Volt 380
- Supply inverter
- rpm 10000
- kg 70

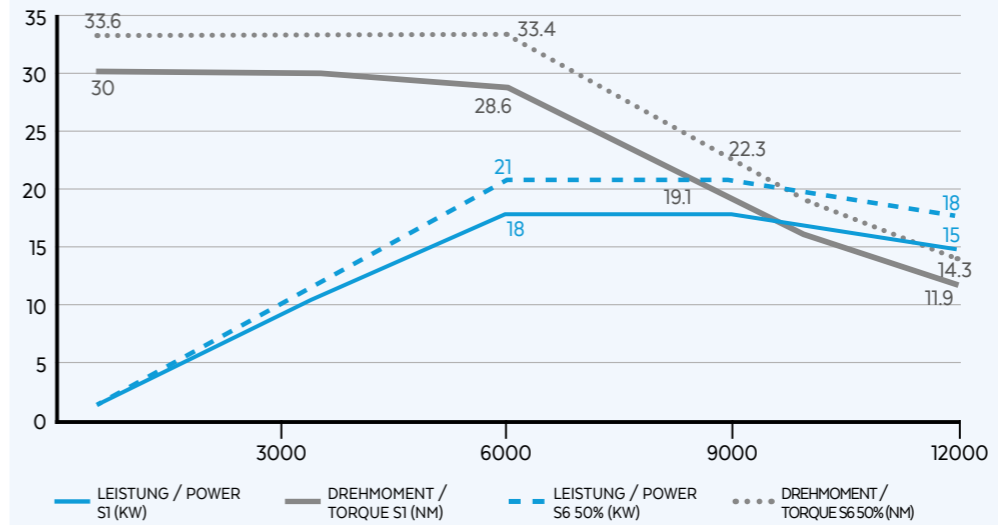
AUSRÜSTUNG / EQUIPMENT

- HSK 80F
- Electrofan cooling
- Single effect pneumatic cylinder
- Automatic tool change (A.T.C)
- Ceramic ball bearings
- Labyrinth with air seal
- Sensors s1, s2, s3
- Grease lubrication
- Plug & Play Quick connection PP spindle side
- Taper cleaning

QM-1F 18/6 12

HIGH TORQUE

LEISTUNGEN / PERFORMANCES



OPTIONALES ZUBEHÖR / OPTIONS

- IM Bearings temperature monitoring
- iS iSPINDLE
- IM² Speed monitoring
- IM Vibration sensor
- Plug & Play Quick connection pp machine side
- HSK 85S

TECHNISCHE SPEZIFIKATIONEN / TECHNICAL SPECIFICATIONS

- S1-S6 kW 18/21
- S1-S6 A 37/42
- Pol es 4
- S1-S6 Nm 30/33.6
- Volt 380
- Supply inverter
- rpm 12000
- kg 70

AUSRÜSTUNG / EQUIPMENT

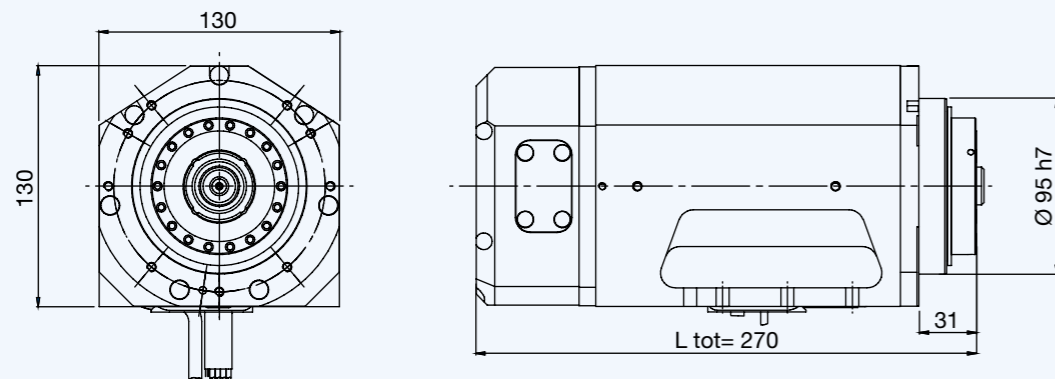
- HSK 80F
- Electrofan cooling
- Single effect pneumatic cylinder
- Automatic tool change (A.T.C)
- Ceramic ball bearings
- Labyrinth with air seal
- Sensors s1, s2, s3
- Grease lubrication
- Plug & Play Quick connection PP spindle side
- Taper cleaning

ROBOTECH QX



SUITABLE FOR MACHINING WOOD AND ALUMINUM
HIGH POWER IN A VERY COMPACT BODY
SUITABLE FOR BI-ROTARY HEADS (50° AND 90°) AND ROBOT APPLICATIONS
AVAILABLE WITH ENCODER ON BOARD

LAYOUT HSK 63F



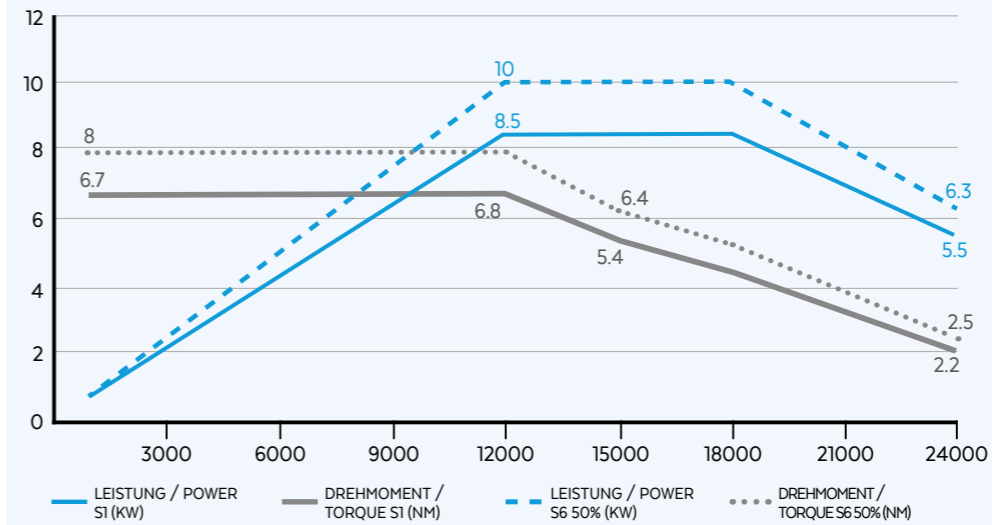
WEITERE LAYOUTS / OTHER LAYOUTS

	ΔL	L tot
Encoder (1 Vpp or TTL)	+25 mm	295 mm

QX-2 8.5/12 24

LIQUID

LEISTUNGEN / PERFORMANCES



OPTIONALES ZUBEHÖR / OPTIONS

- Encoder 1Vpp or TTL
- Bearings temperature monitoring
- Voltage 220V
- Speed monitoring
- Vibration sensor

TECHNISCHE SPEZIFIKATIONEN / TECHNICAL SPECIFICATIONS

- S1-S6 kW 8.5/10
- S1-S6 A 20/22
- Pol es 4
- S1-S6 Nm 6.8/8
- Volt 380
- Supply inverter
- rpm 24000
- kg 18

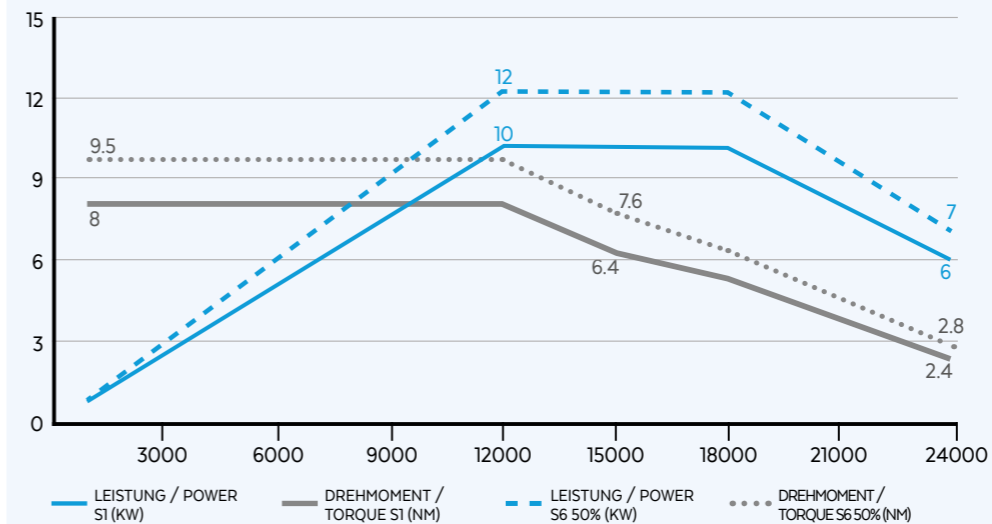
AUSRÜSTUNG / EQUIPMENT

- HSK 63F
- Liquid cooling
- Single effect pneumatic cylinder
- Automatic tool change (A.T.C)
- Ceramic ball bearings
- Labyrinth with air seal
- Sensors s1, s2, s3, s5
- Grease lubrication
- Taper cleaning

QX-2 10/12 24

LIQUID

LEISTUNGEN / PERFORMANCES



OPTIONALES ZUBEHÖR / OPTIONS

- Encoder 1Vpp or TTL
- Bearings temperature monitoring
- Voltage 220V
- Speed monitoring
- Vibration sensor

TECHNISCHE SPEZIFIKATIONEN / TECHNICAL SPECIFICATIONS

- S1-S6 kW 10/12
- S1-S6 A 23/26
- Pol es 4
- S1-S6 Nm 8/9.5
- Volt 380
- Supply inverter
- rpm 24000
- kg 19

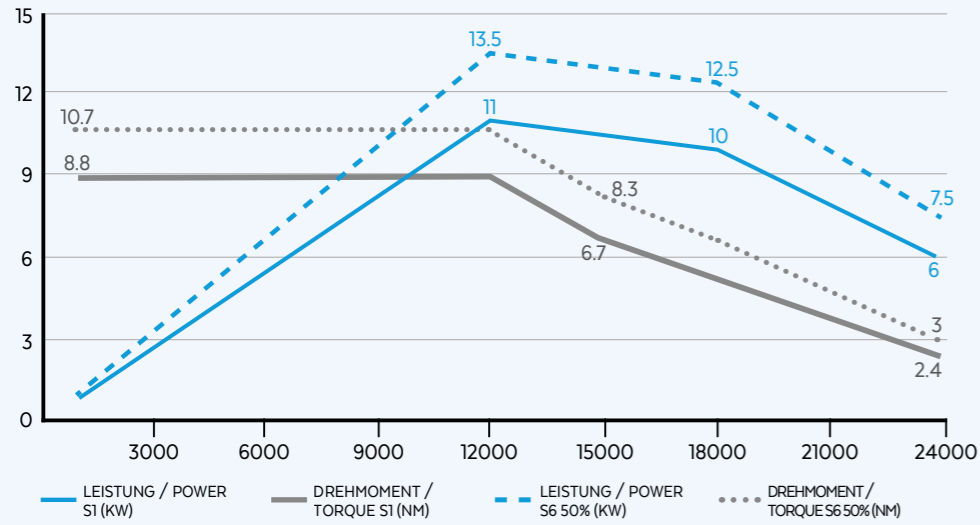
AUSRÜSTUNG / EQUIPMENT

- HSK 63F
- Liquid cooling
- Single effect pneumatic cylinder
- Automatic tool change (A.T.C)
- Ceramic ball bearings
- Labyrinth with air seal
- Sensors s1, s2, s3, s5
- Grease lubrication
- Taper cleaning

QX-2 11/12 24

LIQUID

LEISTUNGEN / PERFORMANCES



OPTIONALES ZUBEHÖR / OPTIONS

- Encoder 1Vpp or TTL
- Bearings temperature monitoring
- Vibration sensor
- Speed monitoring

TECHNISCHE SPEZIFIKATIONEN / TECHNICAL SPECIFICATIONS

- S1-S6 kW 11/13.5
- S1-S6 A 24.5/29.5
- Pol es 4
- S1-S6 Nm 8.8/10.7
- Volt 380
- Supply inverter
- rpm 24000
- kg 19

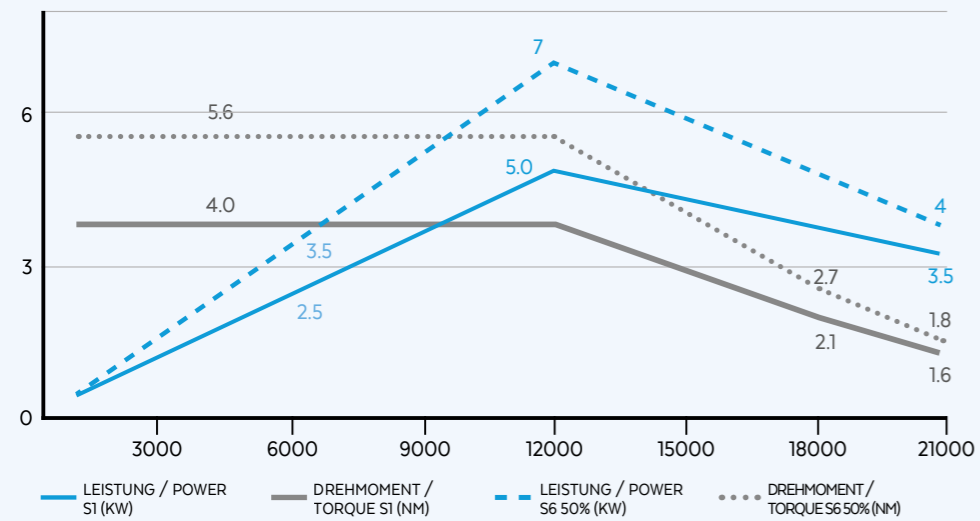
AUSRÜSTUNG / EQUIPMENT

- HSK 63F
- Liquid cooling
- Single effect pneumatic cylinder
- Automatic tool change (A.T.C.)
- Ceramic ball bearings
- Labyrinth with air seal
- Sensors s1, s2, s3, s5
- Grease lubrication
- Taper cleaning

QX-1C 5/12 21

COMPRESSED AIR

LEISTUNGEN / PERFORMANCES



OPTIONALES ZUBEHÖR / OPTIONS

- Encoder 1Vpp or TTL
- Bearings temperature monitoring
- Vibration sensor
- Speed monitoring

TECHNISCHE SPEZIFIKATIONEN / TECHNICAL SPECIFICATIONS

- S1-S6 kW 5/7
- S1-S6 A 23/26
- Pol es 4
- S1-S6 Nm 4/5.6
- Volt 380
- Supply inverter
- rpm 21000
- kg 18

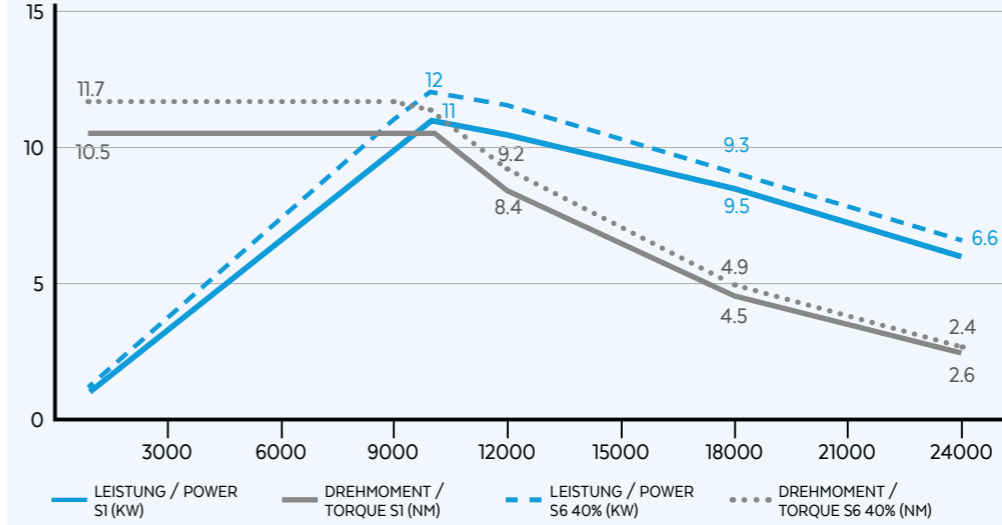
AUSRÜSTUNG / EQUIPMENT

- HSK 63F
- Compressed air cooling
- Single effect pneumatic cylinder
- Automatic tool change (A.T.C.)
- Ceramic ball bearings
- Labyrinth with air seal
- Sensors s1, s2, s3, s5
- Grease lubrication
- Taper cleaning

QX-2 11/10 24 63F NC

HIGH TORQUE

LEISTUNGEN / PERFORMANCES



OPTIONALES ZUBEHÖR / OPTIONS

- Encoder 1Vpp or TTL
- Bearings temperature monitoring
- Speed monitoring
- Vibration sensor
- Anti-rotation sleeves



TECHNISCHE SPEZIFIKATIONEN / TECHNICAL SPECIFICATIONS

- S1-S6 kW 11/12
- S1-S6 A 29/31
- Pol es 6
- S1-S6 Nm 10,5/11,7
- Volt 380
- Supply inverter
- rpm 24000
- kg 21

AUSRÜSTUNG / EQUIPMENT

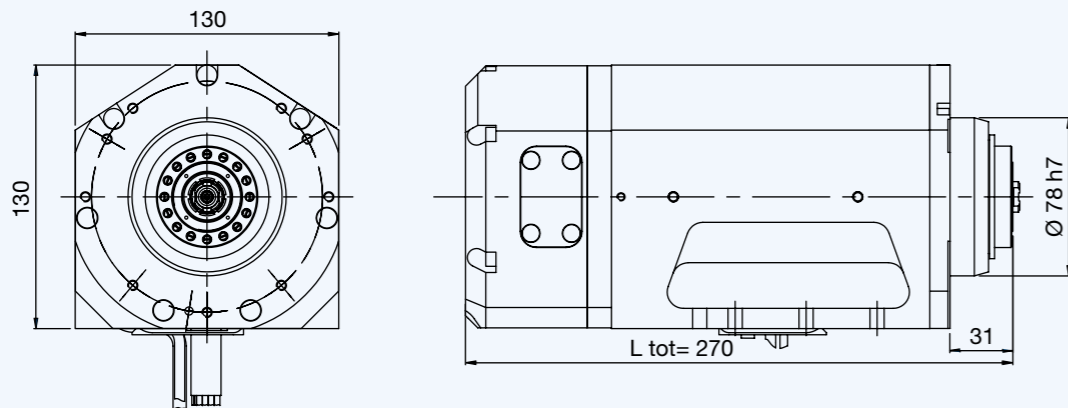
- HSK 63F
- Liquid cooling
- Single effect pneumatic cylinder
- Automatic tool change (A.T.C.)
- Ceramic ball bearings
- Labyrinth with air seal
- Sensors s1, s2, s3, s5
- Grease lubrication
- Taper cleaning

ROBOTECH QX HIGH SPEED



SUITABLE FOR MACHINING PLASTICS, ALUMINUM AND COMPOSITES
HIGH SPEED UP TO 40K RPM
SUITABLE FOR BI-ROTARY HEADS (50° AND 90°) AND ROBOT APPLICATIONS
AVAILABLE WITH ENCODER ON BOARD

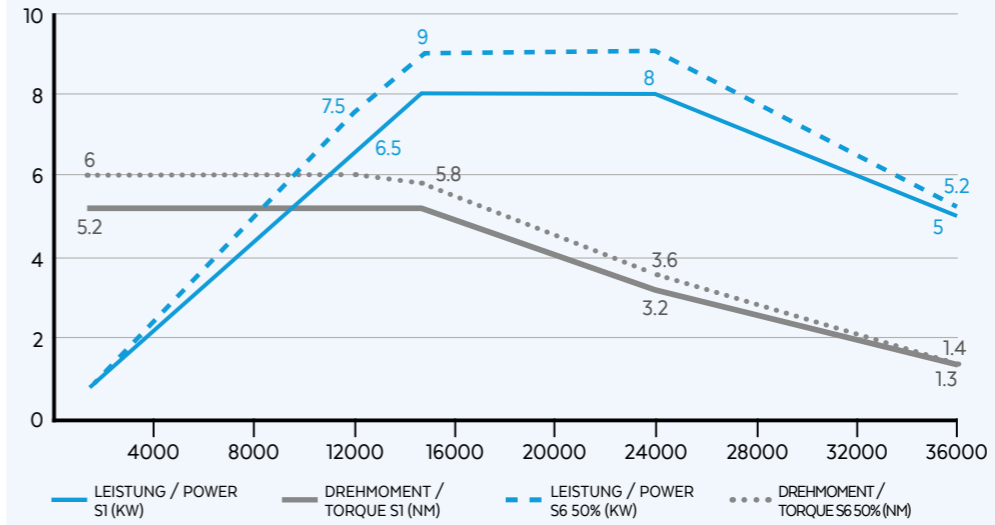
LAYOUT HSK 32E / HSK 40E



QX-2 8/15 36

HIGH SPEED

LEISTUNGEN / PERFORMANCES



OPTIONALES ZUBEHÖR / OPTIONS

- Encoder 1Vpp or TTL
- Bearings temperature monitoring
- Speed monitoring
- Vibration sensor
- Anti-rotation sleeves

TECHNISCHE SPEZIFIKATIONEN / TECHNICAL SPECIFICATIONS

- S1-S6 kW 8/9
- S1-S6 A 23/25
- Pol es 4
- S1-S6 Nm 5.2/6
- Volt 380
- Supply inverter
- rpm 36000
- kg 18

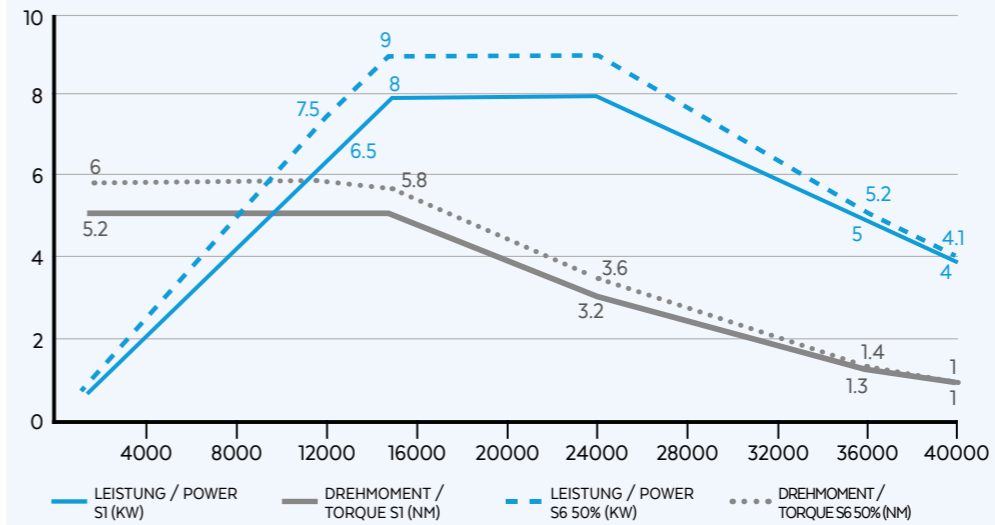
AUSRÜSTUNG / EQUIPMENT

- HSK 40E
- Liquid cooling
- Single effect pneumatic cylinder
- Automatic tool change (A.T.C)
- Ceramic ball bearings
- Labyrinth with air seal
- Sensors s1, s2, s3, s5
- Grease lubrication
- Taper cleaning

QX-2 8/15 40

HIGH SPEED

LEISTUNGEN / PERFORMANCES



OPTIONALES ZUBEHÖR / OPTIONS

- Encoder 1Vpp or TTL
- Bearings temperature monitoring
- Speed monitoring
- Vibration sensor
- Anti-rotation sleeves

TECHNISCHE SPEZIFIKATIONEN / TECHNICAL SPECIFICATIONS

- S1-S6 kW 8/9
- S1-S6 A 23/25
- Pol es 4
- S1-S6 Nm 5.2/6
- Volt 380
- Supply inverter
- rpm 40000
- kg 18

AUSRÜSTUNG / EQUIPMENT

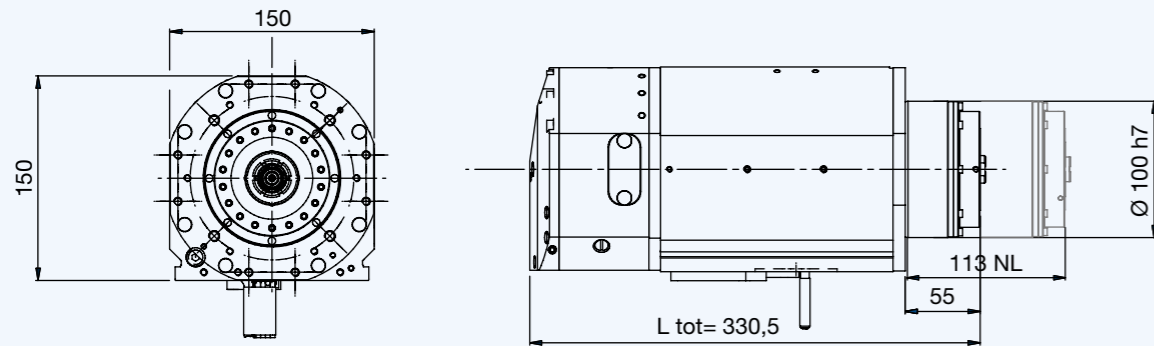
- HSK 32E
- Liquid cooling
- Single effect pneumatic cylinder
- Automatic tool change (A.T.C)
- Ceramic ball bearings
- Labyrinth with air seal
- Sensors s1, s2, s3, s5
- Grease lubrication
- Taper cleaning

ROBOTECH PX-HX

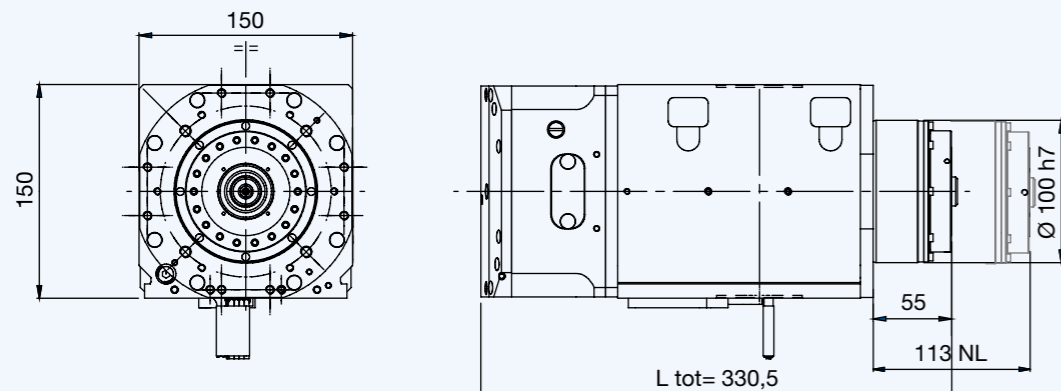


SUITABLE FOR MACHINING WOOD, PLASTICS, ALUMINUM AND COMPOSITES
POWER UP TO 20 KW AND HIGH TORQUES FOR HEAVY MACHINING
OPTIMAL DESIGN FOR BI-ROTARY HEADS (50° AND 90°)
AND ROBOT APPLICATIONS
AVAILABLE WITH ENCODER ON BOARD,
LONG NOSE WITH 3 FRONT BEARINGS, AIR TOOL, MQL AND OIL MIST
AVAILABLE WITH HSK63F, HSK 63E AND HSK 63A

LAYOUT PX HSK 63F



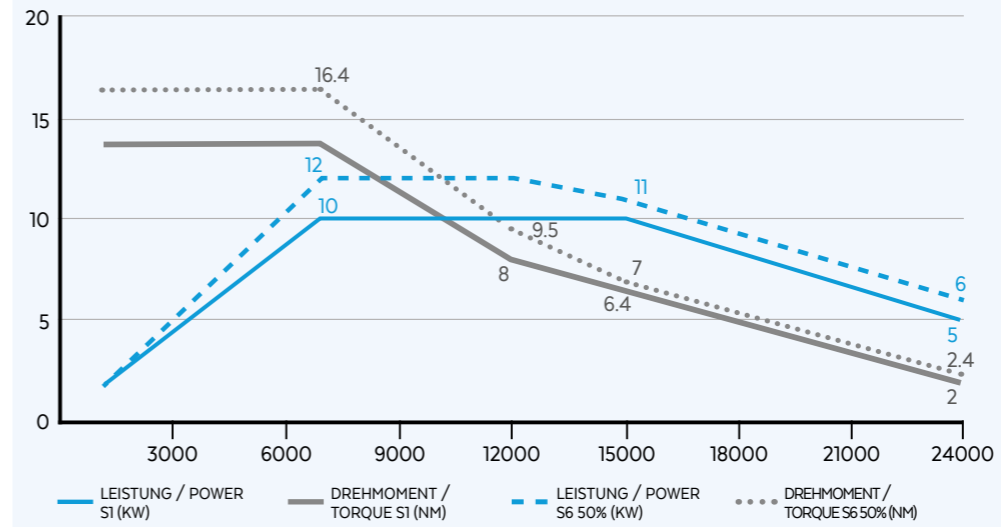
LAYOUT HX HSK 63F



PX/HX-2 10/7 24

HIGH TORQUE

LEISTUNGEN / PERFORMANCES



OPTIONALES ZUBEHÖR / OPTIONS

- Encoder TVpp or TTL
- Long nose
- Air tool
- Oil mist/MQL
- Anti-rotation sleeves
- Bearings temperature monitoring
- Speed monitoring
- Vibration sensor
- HSK 63E/63A

TECHNISCHE SPEZIFIKATIONEN / TECHNICAL SPECIFICATIONS

- S1-S6 kW** 10/12
- S1-S6 Nm** 13.6/16.4
- rpm** 24000
- S1-S6 A** 21/25
- Volt** 380
- kg** 25
- Pol es** 4
- Supply** inverter

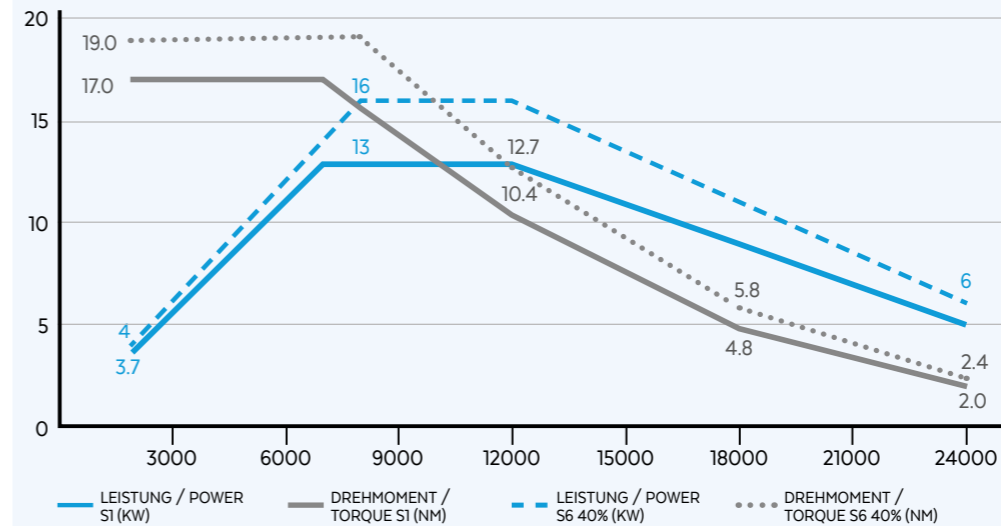
AUSRÜSTUNG / EQUIPMENT

- HSK 63F
- Ceramic ball bearings
- Taper cleaning
- Liquid cooling
- Labyrinth with air seal
- Single effect pneumatic cylinder
- Sensors s1, s2, s3, s5
- Automatic tool change (A.T.C)
- Grease lubrication

PX/HX-2 13/7 24

HIGH TORQUE

LEISTUNGEN / PERFORMANCES



OPTIONALES ZUBEHÖR / OPTIONS

- Encoder TVpp or TTL
- Long nose
- Air tool
- Oil mist/MQL
- Anti-rotation sleeves
- Bearings temperature monitoring
- Speed monitoring
- Vibration sensor
- HSK 63E/63A



TECHNISCHE SPEZIFIKATIONEN / TECHNICAL SPECIFICATIONS

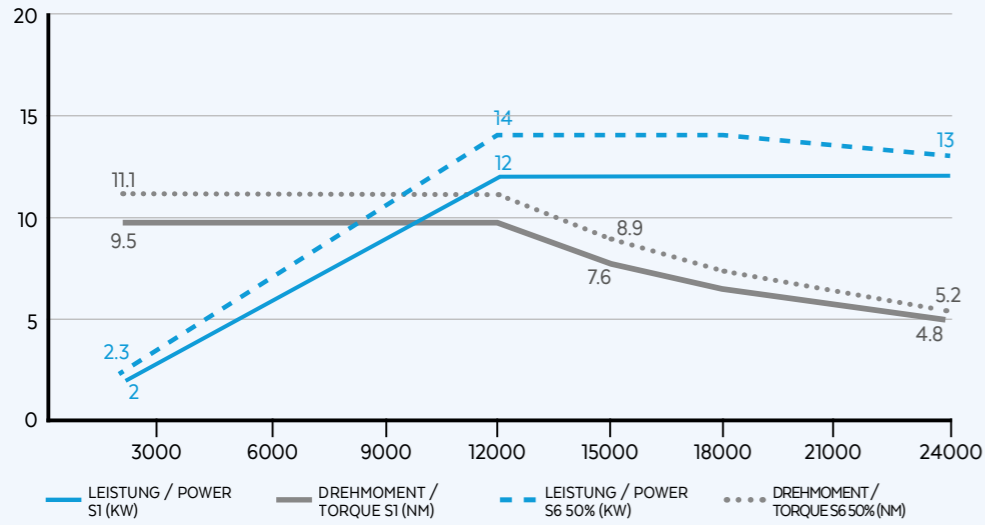
- S1-S6 kW** 13/16
- S1-S6 Nm** 17/19
- rpm** 24000
- S1-S6 A** 35/39
- Volt** 380
- kg** 23
- Pol es** 6
- Supply** inverter

AUSRÜSTUNG / EQUIPMENT

- HSK 63F
- Ceramic ball bearings
- Taper cleaning
- Liquid cooling
- Labyrinth with air seal
- Single effect pneumatic cylinder
- Sensors s1, s2, s3, s5
- Automatic tool change (A.T.C)
- Grease lubrication

PX/HX-2 12/12 24

LEISTUNGEN / PERFORMANCES



OPTIONALES ZUBEHÖR / OPTIONS

- Encoder 1Vpp or TTL
- Long nose
- Air tool
- Oil mist/MQL
- Anti-rotation sleeves
- Bearings temperature monitoring
- Speed monitoring
- Vibration sensor
- HSK 63E/63A

TECHNISCHE SPEZIFIKATIONEN / TECHNICAL SPECIFICATIONS

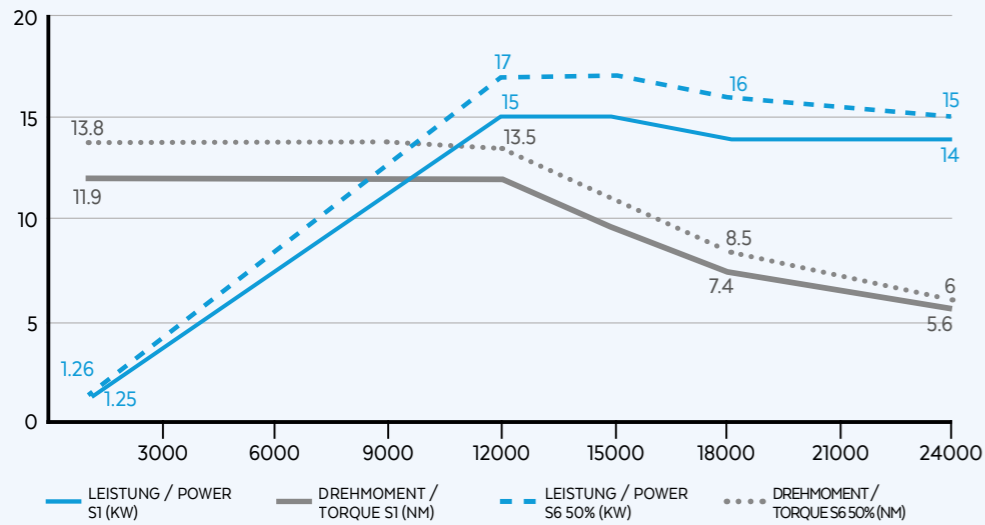
- S1-S6 kW 12/14
- S1-S6 A 26/29
- Pol es 4
- S1-S6 Nm 9.5/11.1
- Volt 380
- Supply inverter
- rpm 24000
- kg 25

AUSRÜSTUNG / EQUIPMENT

- HSK 63F
- Liquid cooling
- Single effect pneumatic cylinder
- Automatic tool change (A.T.C.)
- Ceramic ball bearings
- Labyrinth with air seal
- Sensors s1, s2, s3, s5
- Grease lubrication
- Taper cleaning

PX/HX-2 15/12 24

LEISTUNGEN / PERFORMANCES



OPTIONALES ZUBEHÖR / OPTIONS

- Encoder 1Vpp or TTL
- Long nose
- Air tool
- Oil mist/MQL
- Anti-rotation sleeves
- Bearings temperature monitoring
- Speed monitoring
- Vibration sensor
- HSK 63E/63A

TECHNISCHE SPEZIFIKATIONEN / TECHNICAL SPECIFICATIONS

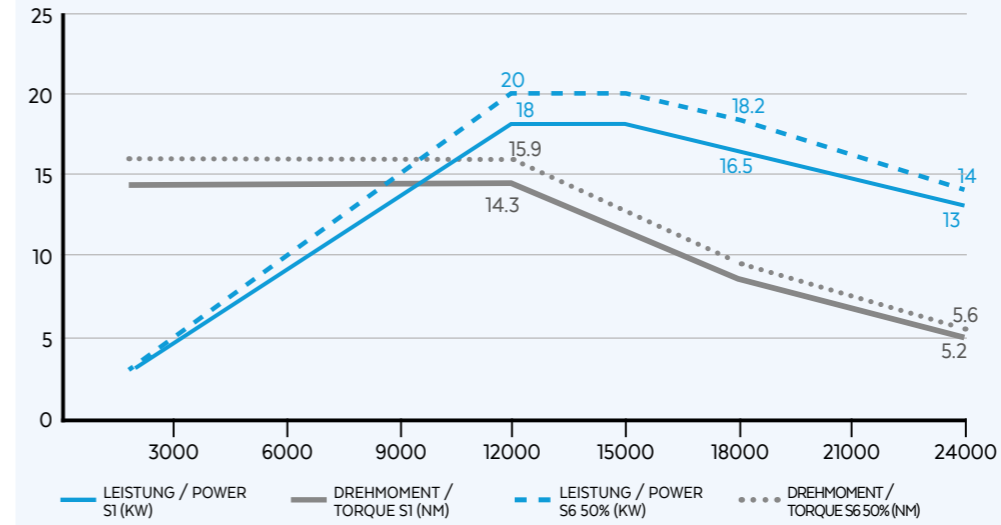
- S1-S6 kW 15/17
- S1-S6 A 30/33
- Pol es 4
- S1-S6 Nm 11.9/13.8
- Volt 380
- Supply inverter
- rpm 24000
- kg 25

AUSRÜSTUNG / EQUIPMENT

- HSK 63F
- Liquid cooling
- Single effect pneumatic cylinder
- Automatic tool change (A.T.C.)
- Ceramic ball bearings
- Labyrinth with air seal
- Sensors s1, s2, s3, s5
- Grease lubrication
- Taper cleaning

PX/HX-2 18/12 24

LEISTUNGEN / PERFORMANCES



OPTIONALES ZUBEHÖR / OPTIONS

- Encoder 1Vpp or TTL
- Long nose
- Air tool
- Oil mist/MQL
- Anti-rotation sleeves
- Bearings temperature monitoring
- Speed monitoring
- Vibration sensor
- HSK 63E/63A

TECHNISCHE SPEZIFIKATIONEN / TECHNICAL SPECIFICATIONS

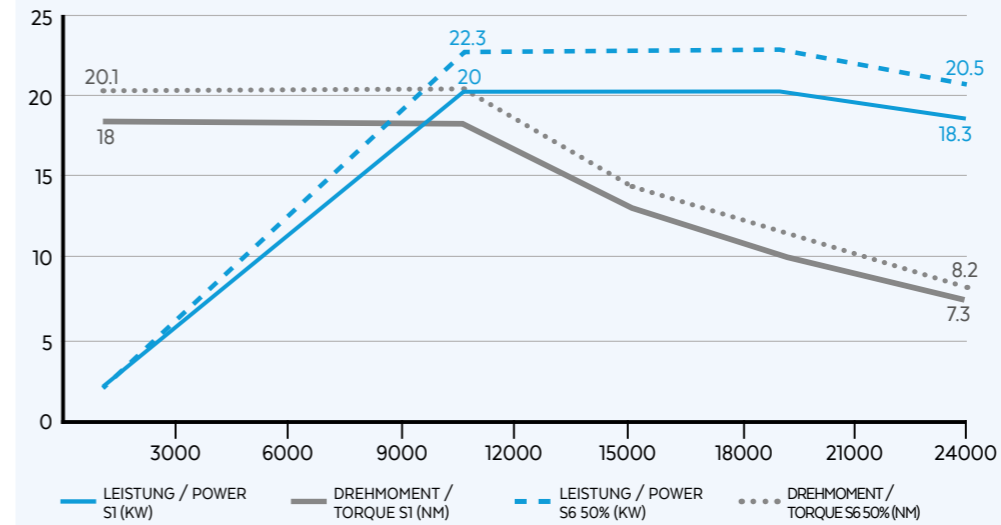
- S1-S6 kW 18/20
- S1-S6 A 35/38.5
- Pol es 4
- S1-S6 Nm 14.3/15.9
- Volt 380
- Supply inverter
- rpm 24000
- kg 25

AUSRÜSTUNG / EQUIPMENT

- HSK 63F
- Liquid cooling
- Single effect pneumatic cylinder
- Automatic tool change (A.T.C.)
- Ceramic ball bearings
- Labyrinth with air seal
- Sensors s1, s2, s3, s5
- Grease lubrication
- Taper cleaning

PX/HX-2 20/10 24 (SYNCHRONOUS)

LEISTUNGEN / PERFORMANCES



OPTIONALES ZUBEHÖR / OPTIONS

- Long nose
- Air tool
- Oil mist/MQL
- Anti-rotation sleeves
- Bearings temperature monitoring
- Speed monitoring
- Vibration sensor
- HSK 63E

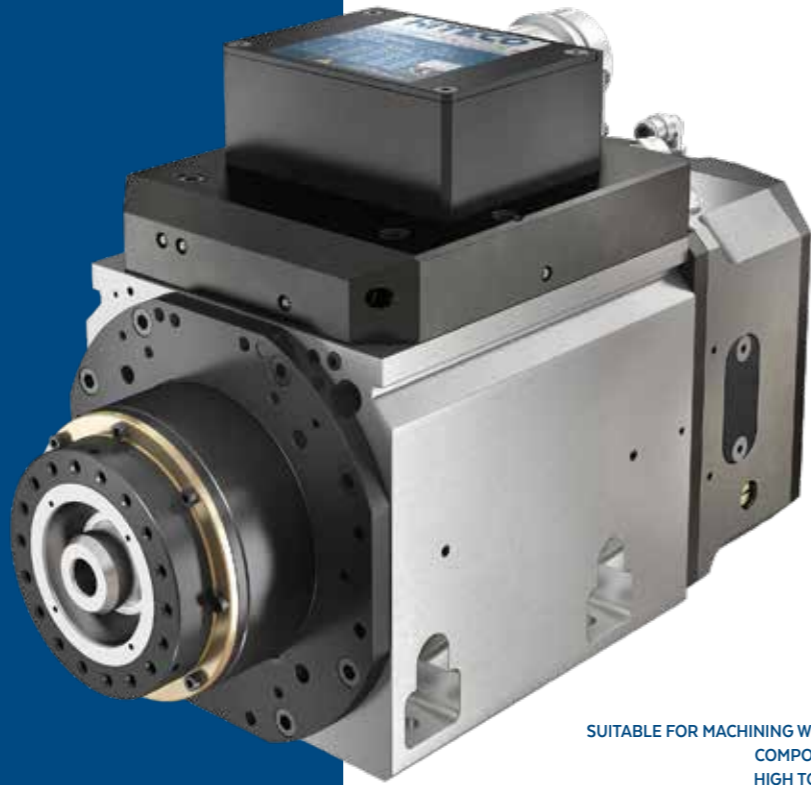
TECHNISCHE SPEZIFIKATIONEN / TECHNICAL SPECIFICATIONS

- S1-S6 kW 20/22.3
- S1-S6 A 48/50
- Pol es 4
- S1-S6 Nm 17.8/20.1
- Volt 380
- Supply inverter
- rpm 24000
- kg 25

AUSRÜSTUNG / EQUIPMENT

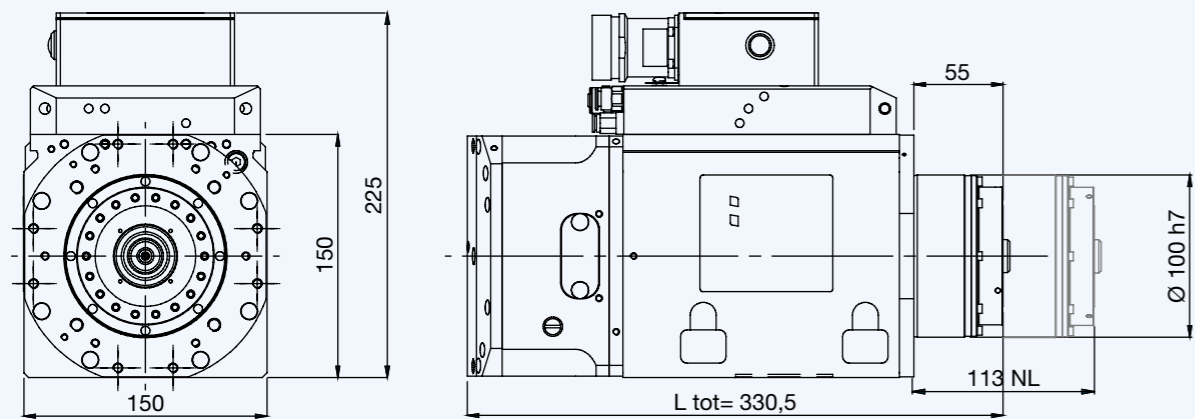
- HSK 63A
- Liquid cooling
- Single effect pneumatic cylinder
- Automatic tool change (A.T.C.)
- Ceramic ball bearings
- Labyrinth with air seal
- Sensors s1, s2, s3, s5
- Grease lubrication
- Taper cleaning
- Encoder 1Vpp

ROBOTECH HX 3C



SUITABLE FOR MACHINING WOOD, PLASTICS, ALUMINUM AND COMPOSITES POWER UP TO 20 KW AND HIGH TORQUES FOR HEAVY MACHINING
OPTIMAL DESIGN FOR 3-AXIS MACHINES CONNECTION TO THE MACHINE WITH COMMERCIAL CONNECTORS AVAILA WITH ENCODER ON BOARD, LONG NOSE WITH 23 FRONT BEARINGS, AIR TOOL, MQL AND OIL MIST

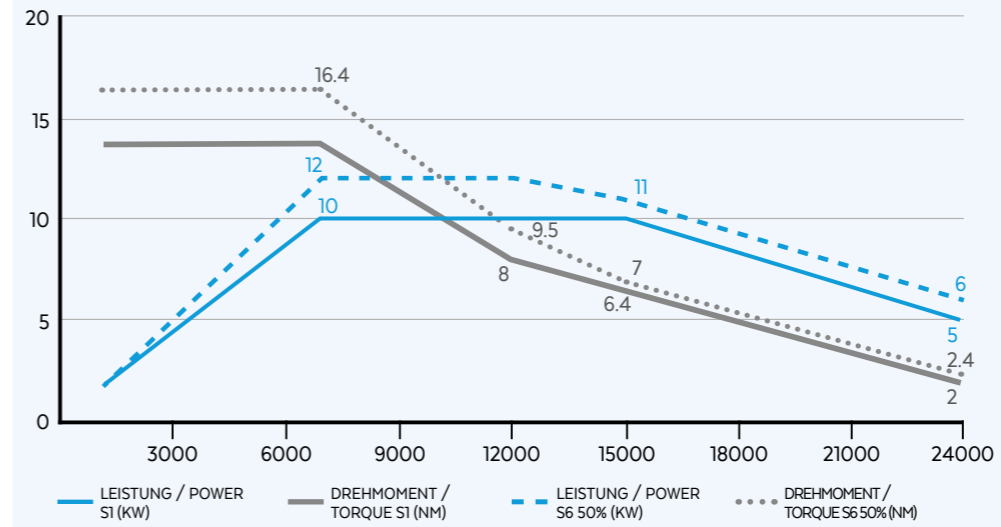
LAYOUT HSK 63F 3C



HX-2 10/7 24 3C

HIGH TORQUE

LEISTUNGEN / PERFORMANCES



OPTIONALES ZUBEHÖR / OPTIONS

- Encoder 1Vpp or TTL
- Circular connector cc machine side
- Long nose
- Air tool
- Oil mist/MQL
- Bearings temperature monitoring
- Speed monitoring
- Vibration sensor
- HSK 63E/63A
- Anti-rotation sleeves

TECHNISCHE SPEZIFIKATIONEN / TECHNICAL SPECIFICATIONS

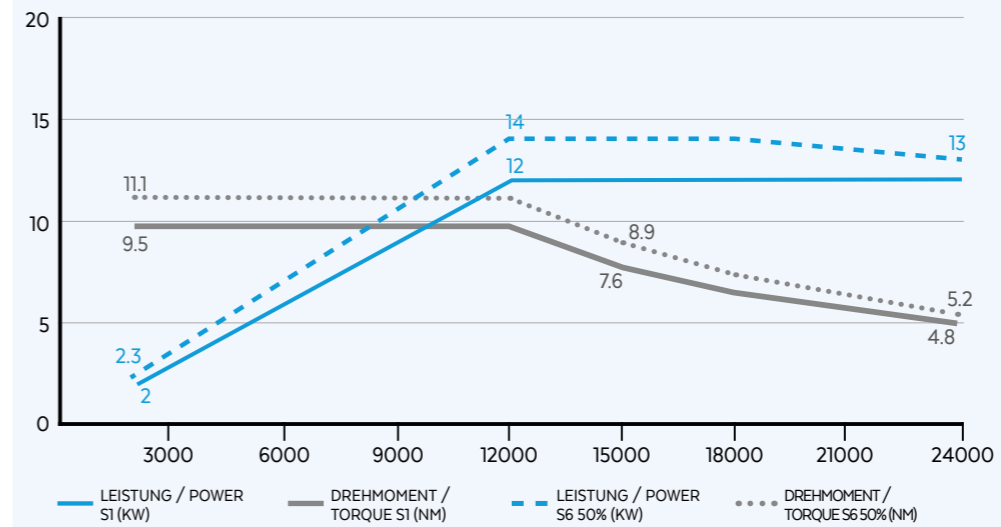
- S1-S6 kW** 10/12
- S1-S6 Nm** 13.6/16.4
- rpm** 24000
- S1-S6 A** 21/25
- Volt** 380
- kg** 25
- Pol es** 4
- Supply** inverter

AUSRÜSTUNG / EQUIPMENT

- HSK 63F
- Ceramic ball bearings
- Circular connector cc spindle side
- Liquid cooling
- Labyrinth with air seal
- Taper cleaning
- Single effect pneumatic cylinder
- Sensors s1, s2, s3, s5
- Automatic tool change (A.T.C)
- Grease lubrication

HX-2 12/12 24 3C

LEISTUNGEN / PERFORMANCES



OPTIONALES ZUBEHÖR / OPTIONS

- Encoder 1Vpp or TTL
- Circular connector cc machine side
- Long nose
- Air tool
- Oil mist/MQL
- Bearings temperature monitoring
- Speed monitoring
- Vibration sensor
- HSK 63E/63A
- Anti-rotation sleeves

TECHNISCHE SPEZIFIKATIONEN / TECHNICAL SPECIFICATIONS

- S1-S6 kW** 12/14
- S1-S6 Nm** 9.5/11.1
- rpm** 24000
- S1-S6 A** 26/29
- Volt** 380
- kg** 25
- Pol es** 4
- Supply** inverter

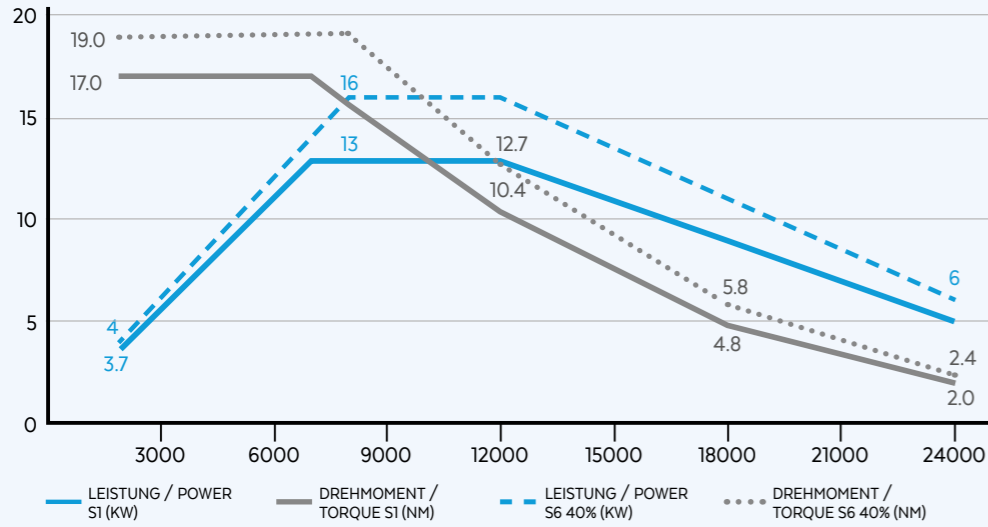
AUSRÜSTUNG / EQUIPMENT

- HSK 63F
- Ceramic ball bearings
- Circular connector cc spindle side
- Liquid cooling
- Labyrinth with air seal
- Taper cleaning
- Single effect pneumatic cylinder
- Sensors s1, s2, s3, s5
- Automatic tool change (A.T.C)
- Grease lubrication

HX-2 13/7 24

HIGH TORQUE

LEISTUNGEN / PERFORMANCES



OPTIONALES ZUBEHÖR / OPTIONS

- Encoder 1Vpp or TTL
- Long nose
- Air tool
- Oil mist/MQL
- Anti-rotation sleeves
- Bearings temperature monitoring
- Speed monitoring
- Vibration sensor
- HSK 63E/63A



TECHNISCHE SPEZIFIKATIONEN / TECHNICAL SPECIFICATIONS

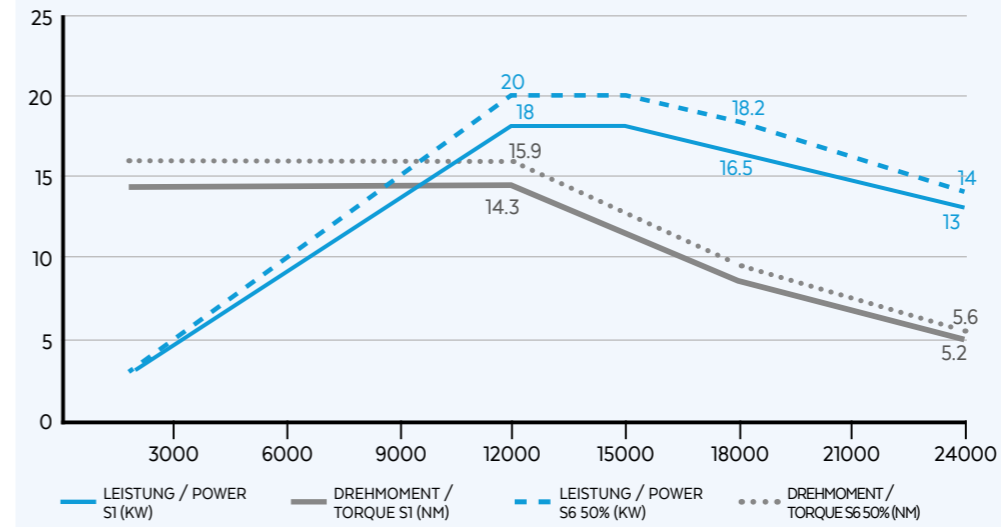
- S1-S6 kW** 13/14
- S1-S6 A** 35/39
- Pol es** 6
- S1-S6 Nm** 17/19
- Volt** 380
- Supply** inverter
- rpm** 24000
- kg** 23

AUSRÜSTUNG / EQUIPMENT

- HSK 63F
- Liquid cooling
- Single effect pneumatic cylinder
- Automatic tool change (A.T.C)
- Ceramic ball bearings
- Labyrinth with air seal
- Sensors s1, s2, s3, s5
- Grease lubrication
- Taper cleaning

HX-2 18/12 24 3C

LEISTUNGEN / PERFORMANCES



OPTIONALES ZUBEHÖR / OPTIONS

- Encoder 1Vpp or TTL
- Circular connector cc machine side
- Long nose
- Air tool
- Oil mist/MQL
- Bearings temperature monitoring
- Speed monitoring
- Vibration sensor
- HSK 63E/63A
- Anti-rotation sleeves

TECHNISCHE SPEZIFIKATIONEN / TECHNICAL SPECIFICATIONS

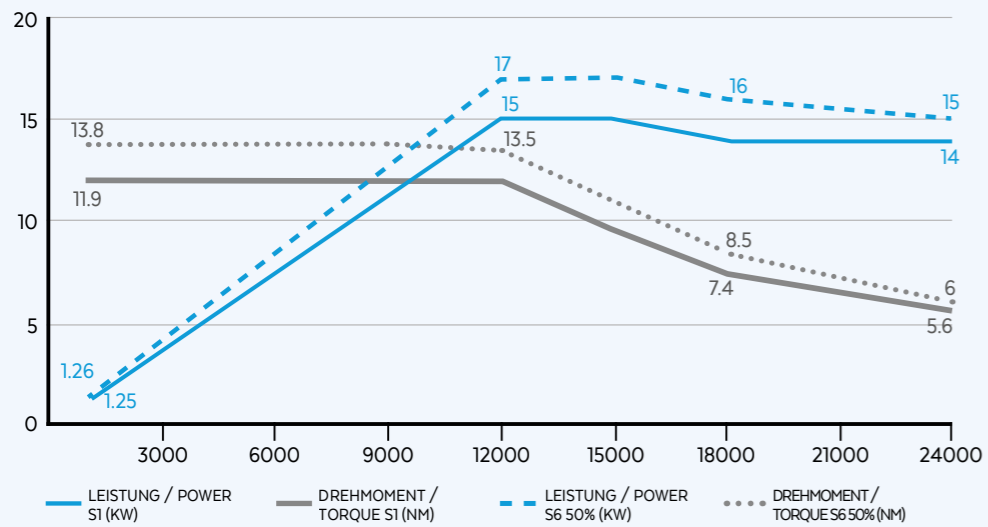
- S1-S6 kW** 18/20
- S1-S6 A** 35/38.5
- Pol es** 4
- S1-S6 Nm** 14.3/15.9
- Volt** 380
- Supply** inverter
- rpm** 24000
- kg** 25

AUSRÜSTUNG / EQUIPMENT

- HSK 63F
- Liquid cooling
- Single effect pneumatic cylinder
- Automatic tool change (A.T.C)
- Ceramic ball bearings
- Labyrinth with air seal
- Sensors s1, s2, s3, s5
- Grease lubrication
- Taper cleaning
- Circular connector cc spindle side

HX-2 15/12 24 3C

LEISTUNGEN / PERFORMANCES



OPTIONALES ZUBEHÖR / OPTIONS

- Encoder 1Vpp or TTL
- Circular connector cc machine side
- Long nose
- Air tool
- Oil mist/MQL
- Bearings temperature monitoring
- Speed monitoring
- Vibration sensor
- HSK 63E/63A
- Anti-rotation sleeves

TECHNISCHE SPEZIFIKATIONEN / TECHNICAL SPECIFICATIONS

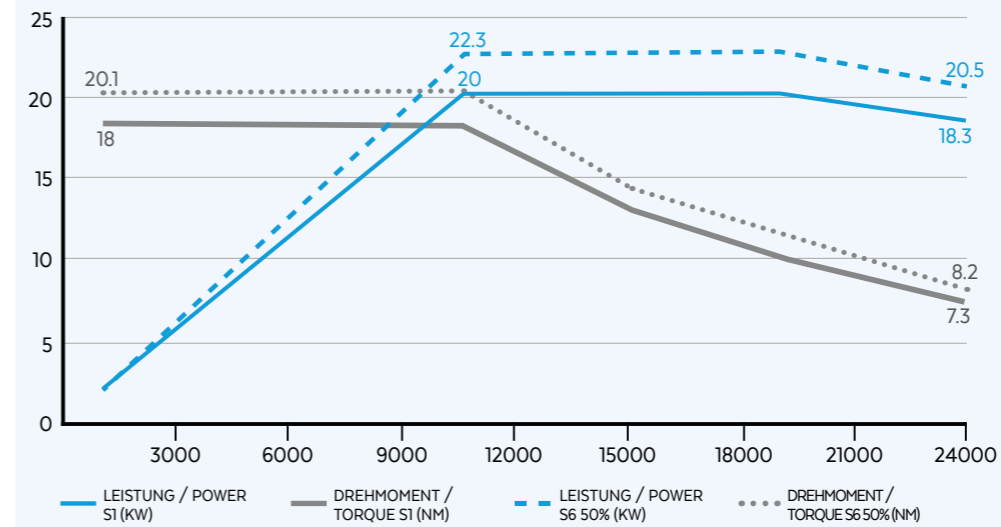
- S1-S6 kW** 15/17
- S1-S6 A** 30/33
- Pol es** 4
- S1-S6 Nm** 11.9/13.8
- Volt** 380
- Supply** inverter
- rpm** 24000
- kg** 25

AUSRÜSTUNG / EQUIPMENT

- HSK 63F
- Liquid cooling
- Single effect pneumatic cylinder
- Automatic tool change (A.T.C)
- Ceramic ball bearings
- Labyrinth with air seal
- Sensors s1, s2, s3, s5
- Grease lubrication
- Taper cleaning
- Circular connector cc spindle side

HX-2 20/10 24 3C (SYNCHRONOUS)

LEISTUNGEN / PERFORMANCES



OPTIONALES ZUBEHÖR / OPTIONS

- Long nose
- Air tool
- Oil mist/MQL
- Circular connector cc machine side
- Anti-rotation sleeves
- Bearings temperature monitoring
- Speed monitoring
- Vibration sensor
- HSK 63E

TECHNISCHE SPEZIFIKATIONEN / TECHNICAL SPECIFICATIONS

- S1-S6 kW** 20/22.3
- S1-S6 A** 48/50
- Pol es** 4
- S1-S6 Nm** 17.8/20.1
- Volt** 380
- Supply** inverter
- rpm** 24000
- kg** 25

AUSRÜSTUNG / EQUIPMENT

- HSK 63A
- Liquid cooling
- Single effect pneumatic cylinder
- Automatic tool change (A.T.C)
- Ceramic ball bearings
- Labyrinth with air seal
- Sensors s1, s2, s3, s5
- Grease lubrication
- Taper cleaning
- Circular connector cc spindle side
- Encoder 1Vpp

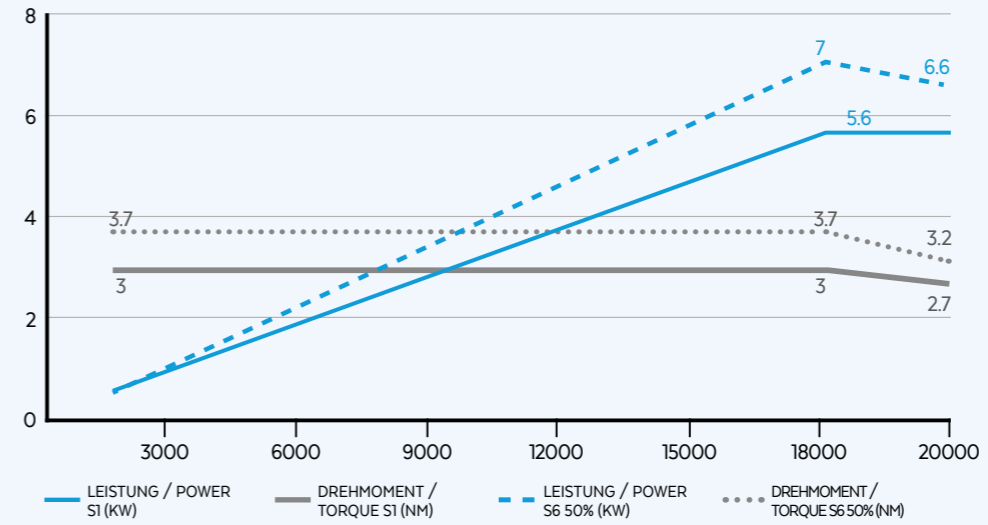
ROBOTECH HD



SUITABLE FOR MACHINING ALUMINUM AND COMPOSITES
OPTIMAL DESIGN FOR BIROTARY HEADS (90°)
TWO INDEPENDENT TOOL LUBRICATION CHANNELS
ANTI-ROTATION PRESET FOR AGGREGATE CONNECTION
AVAILABLE WITH HSK 50F AND HSK 40E

HD-2 5.6/18 20

LEISTUNGEN / PERFORMANCES



OPTIONALES ZUBEHÖR / OPTIONS

- Encoder 1Vpp or TTL
- Sensor s5
- HSK 40E
- Anti-rotation sleeves

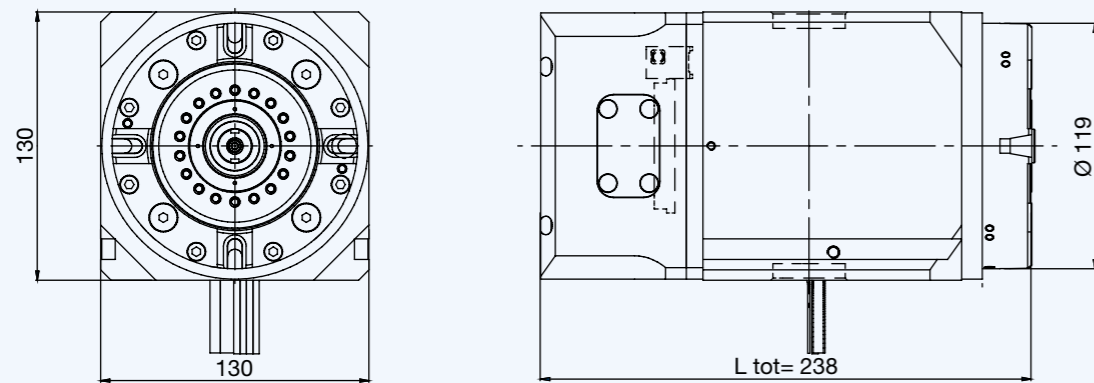
TECHNISCHE SPEZIFIKATIONEN / TECHNICAL SPECIFICATIONS

- Power: 5.6/7 kW
- Current: 12/14 A
- Supply: 4 pole inverter
- Torque: 3/3.7 Nm
- Voltage: 380 Volt
- Speed: 20000 rpm
- Weight: 18 kg

AUSRÜSTUNG / EQUIPMENT

- HSK 50F
- Liquid cooling
- Single effect pneumatic cylinder
- Automatic tool change (A.T.C)
- Ceramic ball bearings
- Labyrinth with air seal
- Sensors s1, s2, s3
- Grease lubrication
- Taper cleaning

LAYOUT HSK 50F

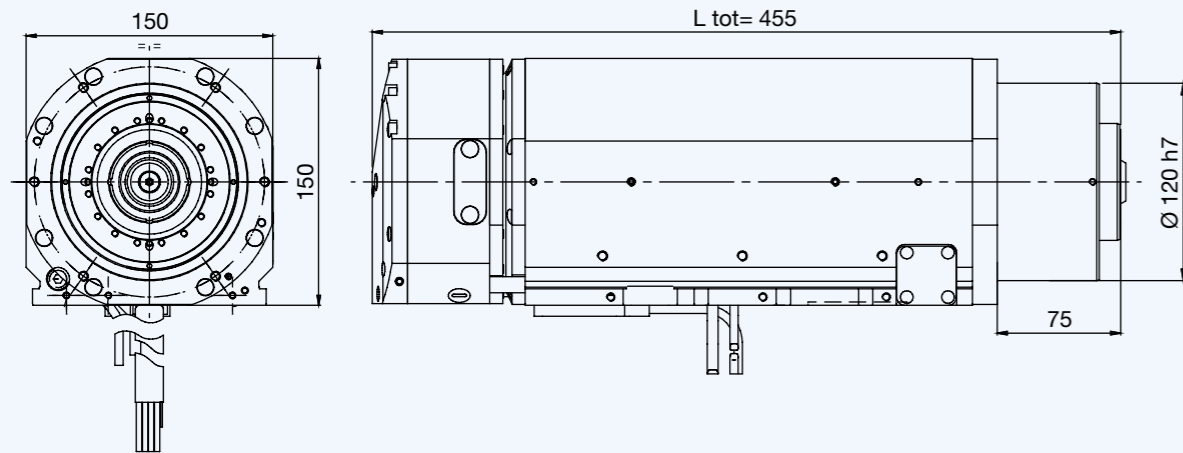


ROBOTECH QT



SUITABLE FOR MACHINING WOODEN BEAMS
POWER UP TO 25 KW AND HIGH TORQUES FOR HEAVY MACHINING
OPTIMAL DESIGN FOR 90° BIROTARY HEADS (50° AND 90°)
AVAILABLE WITH HSK 63E

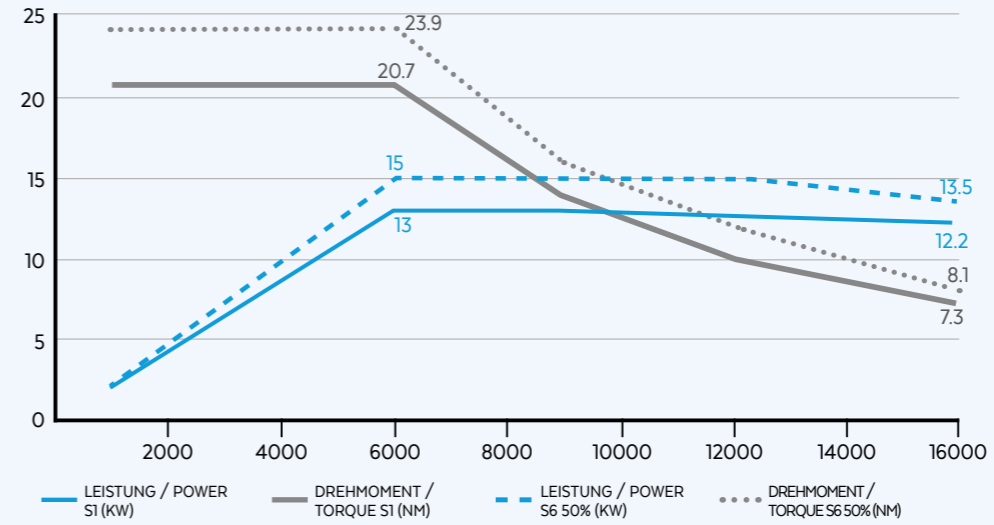
LAYOUT HSK 63E



QT-2 13/6 16

LIQUID HIGH TORQUE

LEISTUNGEN / PERFORMANCES



OPTIONALES ZUBEHÖR / OPTIONS

- Encoder 1Vpp or TTL
- plate and pp cable connection

TECHNISCHE SPEZIFIKATIONEN / TECHNICAL SPECIFICATIONS

- S1-S6 kW 13/15
- S1-S6 A 30/35
- Pol es 4
- S1-S6 Nm 20.7/23.9
- Volt 400
- Supply inverter
- rpm 16000
- kg 36

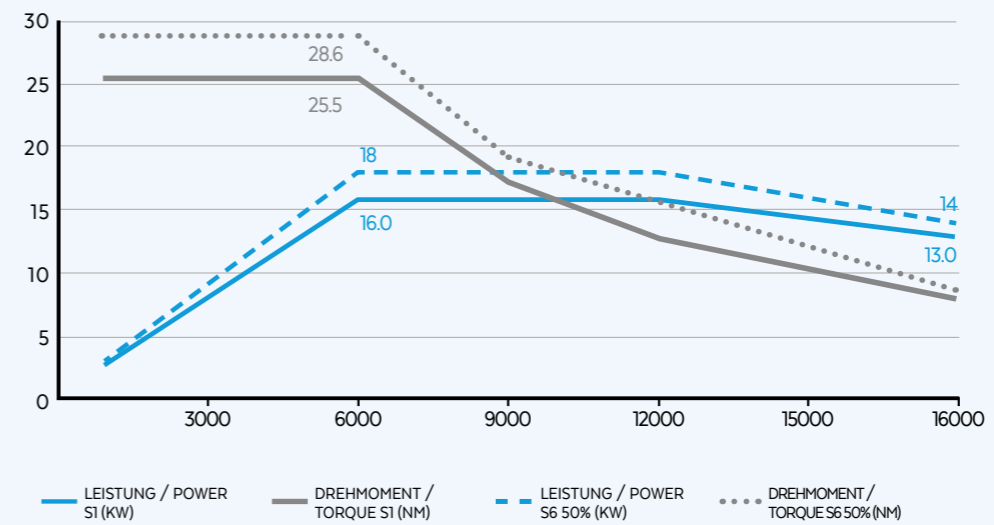
AUSRÜSTUNG / EQUIPMENT

- HSK 63E
- Liquid cooling
- Single effect pneumatic cylinder
- Automatic tool change (A.T.C)
- Ceramic ball bearings
- Labyrinth with air seal
- Sensors S1,S2,S3,S5
- Grease lubrication
- Taper cleaning

QT-2 16/6 16

LIQUID HIGH TORQUE

LEISTUNGEN / PERFORMANCES



OPTIONALES ZUBEHÖR / OPTIONS

- plate and pp cable connection
- NEW**

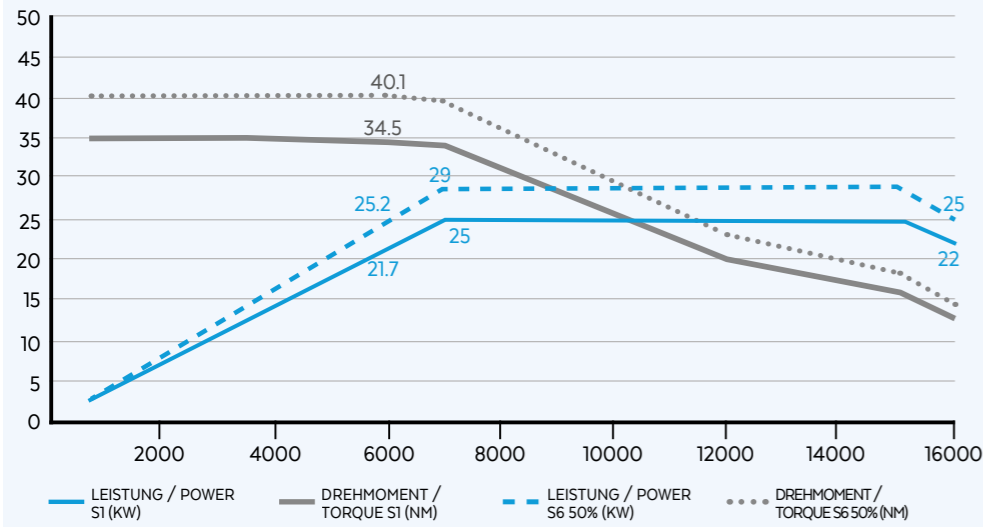
TECHNISCHE SPEZIFIKATIONEN / TECHNICAL SPECIFICATIONS

- S1-S6 kW 25/29
- S1-S6 A 47/56
- Pol es 4
- S1-S6 Nm 34.5/40.1
- Volt 400
- Supply inverter
- rpm 16000
- kg 36

AUSRÜSTUNG / EQUIPMENT

- HSK 63E
- Liquid cooling
- Single effect pneumatic cylinder
- Automatic tool change (A.T.C)
- Ceramic ball bearings
- Labyrinth with air seal
- Sensors S1,S2,S3,S5
- Grease lubrication
- Taper cleaning
- Encoder 1Vpp or TTL

LEISTUNGEN / PERFORMANCES



OPTIONALES ZUBEHÖR / OPTIONS

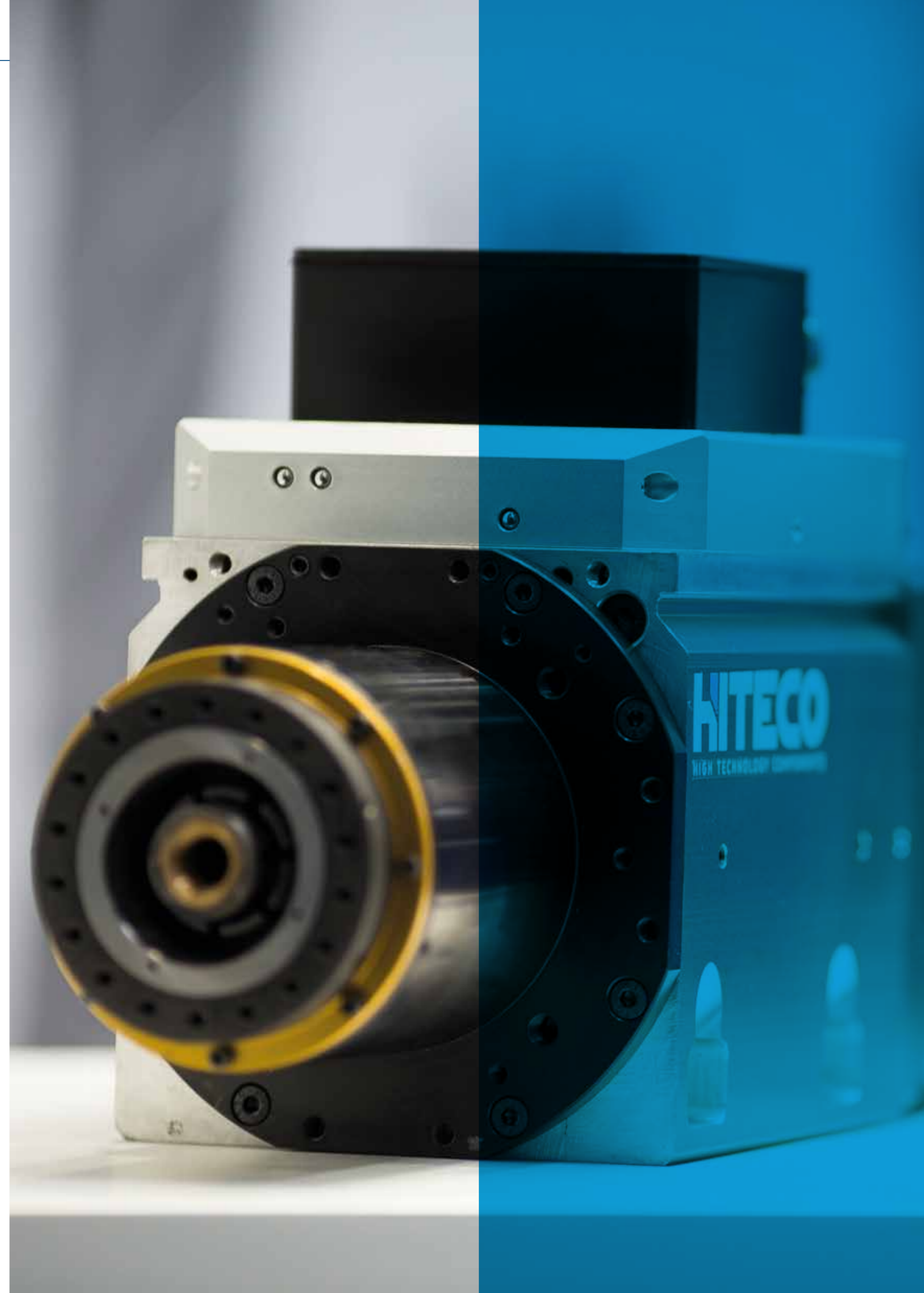


TECHNISCHE SPEZIFIKATIONEN / TECHNICAL SPECIFICATIONS

S1-S6 kW 25/29	S1-S6 A 47/56	Pol es 4
S1-S6 Nm 34.5/40.1	Volt 400	Sup ply inverter
rpm 16000	kg 36	

AUSRÜSTUNG / EQUIPMENT

HSK 63E	Liquid cooling	Single effect pneumatic cylinder	Automatic tool change (A.T.C.)
Ceramic ball bearings	Labyrinth with air seal	Sensors S1,S2,S3,S5	Grease lubrication
Taper cleaning	Encoder 1Vpp or TTL		

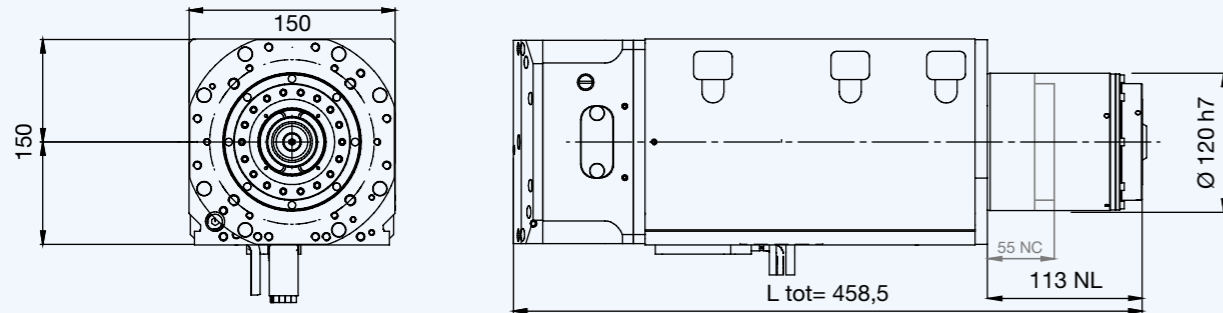


ROBOTECH HT

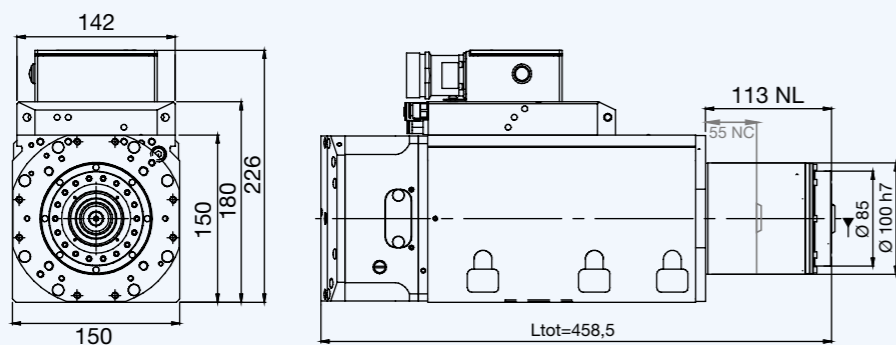
SUITABLE FOR MACHINING WOOD AND ALUMINUM
 POWER UP TO 25 KW AND HIGH TORQUES FOR HEAVY MACHINING
 OPTIMAL DESIGN FOR 3 AND 5-AXIS MACHINES
 AVAILABLE WITH ENCODER ON BOARD, LONG NOSE WITH
 3 FRONT BEARINGS, AIR TOOL, MQL AND OIL MIST
 AVAILABLE WITH HSK 63E



LAYOUT HSK 63E



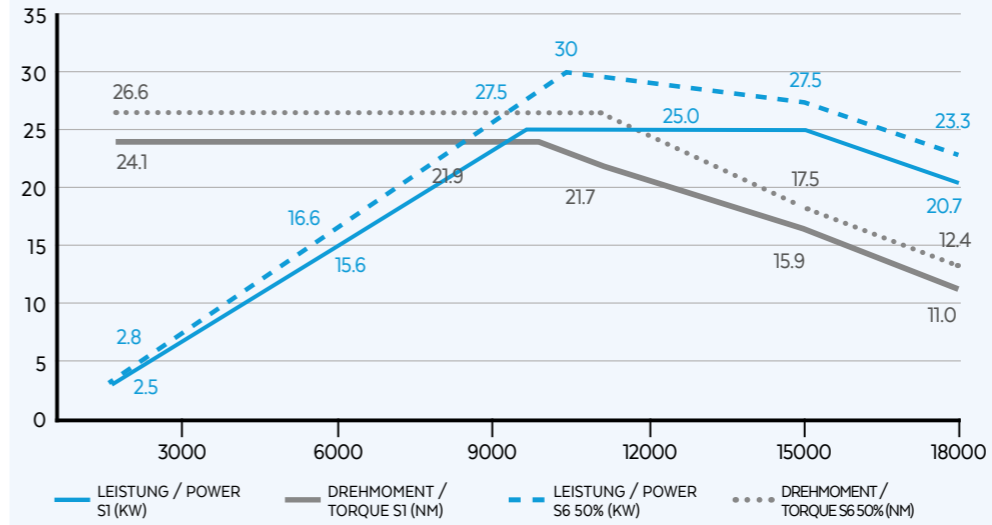
LAYOUT HSK 63E 3C



HT-2 25/10 18

SHORT NOSE

LEISTUNGEN / PERFORMANCES



OPTIONALES ZUBEHÖR / OPTIONS

- Encoder TVpp or TTL
- Oil mist/MQL
- Circular connector cc machine side
- HSK 63E/63A
- Anti-rotation sleeves
- Bearings temperature monitoring
- Speed monitoring
- Vibration sensor
- Air tool
- Short nose

TECHNISCHE SPEZIFIKATIONEN / TECHNICAL SPECIFICATIONS

- Power: 25/27.5 kW
- Torque: 24.1/26.6 Nm
- Speed: 18000 rpm
- Current: 56/62 A
- Voltage: 380 Volt
- Weight: 42 kg
- 4 Poles
- inverter supply

AUSRÜSTUNG / EQUIPMENT

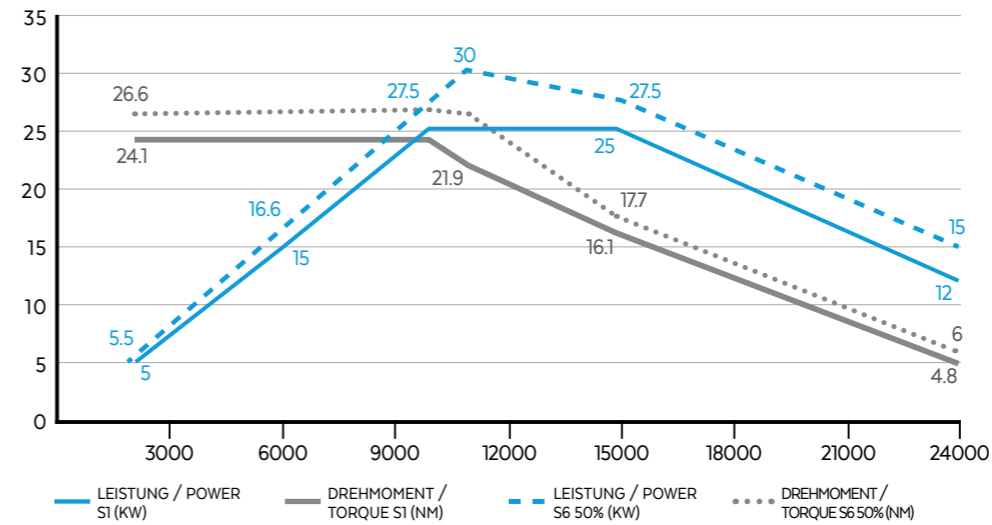
- HSK 63F
- Ceramic ball bearings
- Circular connector cc spindle side
- Liquid cooling
- Labyrinth with air seal
- Taper cleaning

- Single effect pneumatic cylinder
- Sensors s1, s2, s3, s5
- Automatic tool change (A.T.C)
- Grease lubrication

HT-2 25/10 24

LONG NOSE

LEISTUNGEN / PERFORMANCES



OPTIONALES ZUBEHÖR / OPTIONS

- Encoder TVpp or TTL
- Oil mist/MQL
- Circular connector cc machine side
- HSK 63E/63A
- Anti-rotation sleeves
- Bearings temperature monitoring
- Speed monitoring
- Vibration sensor
- Air tool
- Single effect pneumatic cylinder
- Sensors s1, s2, s3, s5
- Automatic tool change (A.T.C)
- Grease lubrication

TECHNISCHE SPEZIFIKATIONEN / TECHNICAL SPECIFICATIONS

- Power: 25/30 kW
- Torque: 24.2/26.6 Nm
- Speed: 24000 rpm
- Current: 53/60 A
- Voltage: 380 Volt
- Weight: 42 kg
- 4 Poles
- inverter supply

AUSRÜSTUNG / EQUIPMENT

- HSK 63F
- Ceramic ball bearings
- Circular connector cc spindle side
- Liquid cooling
- Labyrinth with air seal
- Taper cleaning

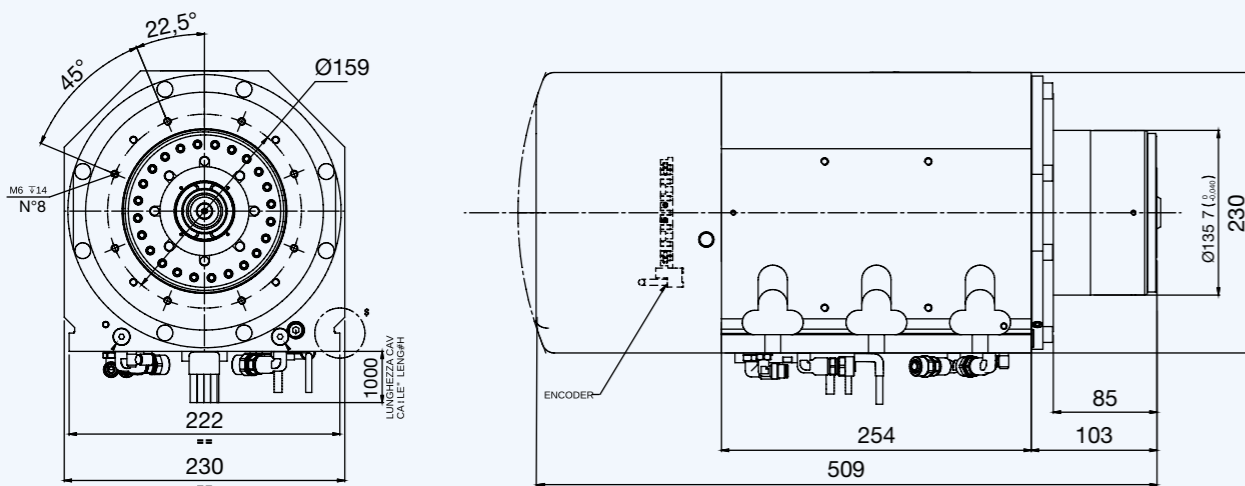
- Single effect pneumatic cylinder
- Sensors s1, s2, s3, s5
- Automatic tool change (A.T.C)
- Grease lubrication

ROBOTECH QM



SUITABLE FOR INTENSE MACHINING OF WOOD, ALUMINUM AND LIGHT ALLOY
 POWER UP TO 30 KW AND HIGH TORQUES
 AVAILABLE WITH ENCODER ON BOARD, AIR TOOL, MQL AND OIL MIST
 AVAILABLE WITH HSK80F, HSK85S AND HSK63A

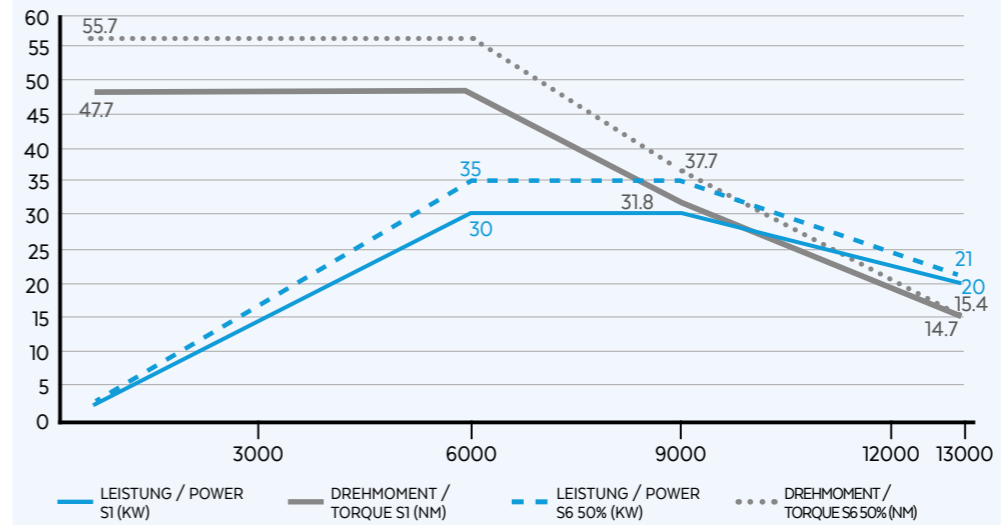
LAYOUT HSK 63A



HIGH TORQUE

QM-2 30/6 13

LEISTUNGEN / PERFORMANCES



OPTIONALES ZUBEHÖR / OPTIONS

- Air tool
- Sensor s5
- Oil mist/MQL
- HSK 80F
- Bearings temperature monitoring
- Speed monitoring
- Vibration sensor
- HSK 85S

TECHNISCHE SPEZIFIKATIONEN / TECHNICAL SPECIFICATIONS

- S1-S6 kW 30/35
- S1-S6 Nm 47.7/55.7
- rpm 13000
- S1-S6 A 59/65
- Volt 380
- kg 75
- Pol es 4
- Supply inverter

AUSRÜSTUNG / EQUIPMENT

- HSK 63A
- Ceramic ball bearings
- Taper cleaning
- Liquid cooling
- Labyrinth with air seal
- Encoder 1 Vpp
- Single effect pneumatic cylinder
- Sensors s1, s2, s3
- Automatic tool change (A.T.C)
- Grease lubrication

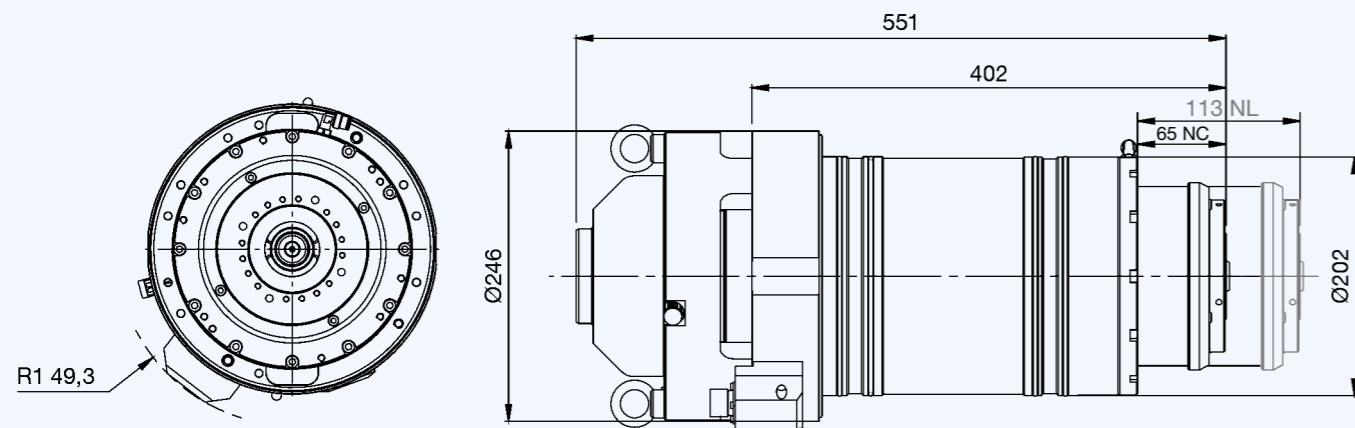


METALTECH KX



SUITABLE FOR MACHINING METAL, ALUMINUM AND LIGHT ALLOY
POWER UP TO 32 KW AND HIGH TORQUES UP TO 100 NM
FRONT BEARING COOLING CIRCUIT
AVAILABLE WITH ENCODER ON BOARD, AIR TOOL, MQL, OIL MIST AND CTS
SYNCHRONOUS SPINDLES WITH HSK 63A AND ENCODER ON BOARD

LAYOUT HSK 63A

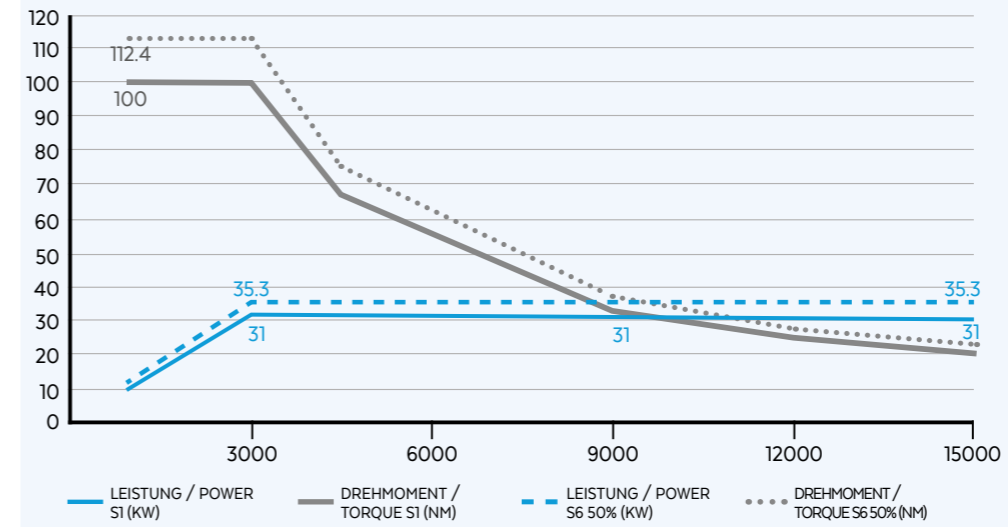


WEITERE LAYOUTS / OTHER LAYOUTS

	ΔL	L tot
NL*	+58 mm	515 mm

KX-2 31/3 15 (SYNCHRONOUS)

LEISTUNGEN / PERFORMANCES



OPTIONALES ZUBEHÖR / OPTIONS

- Air tool
- Water tool cooling
- Temperature sensor
- CTS lubrication
- Oil mist/MQL

TECHNISCHE SPEZIFIKATIONEN / TECHNICAL SPECIFICATIONS

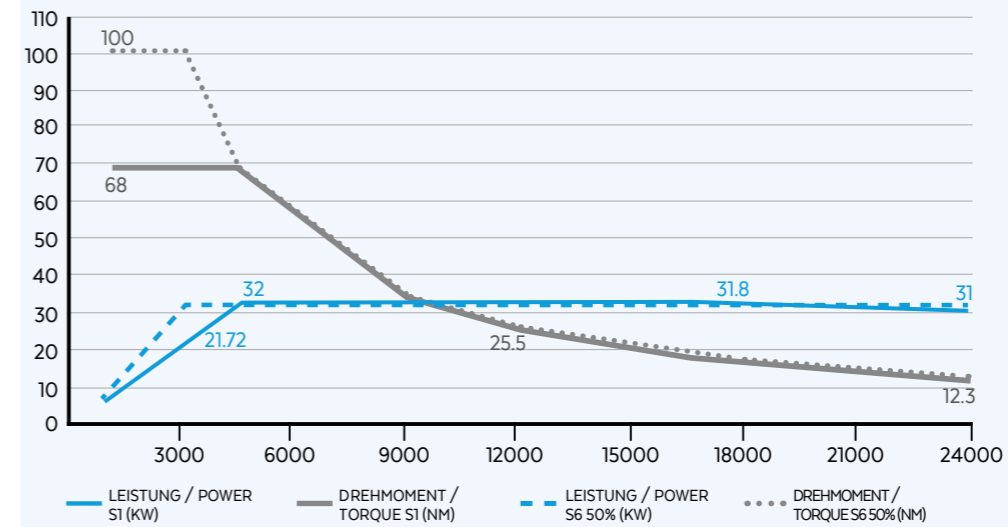
- Power: 31/35.3 kW
- Torque: 100/112.4 Nm
- Speed: 15000 rpm
- Current: 73/113 A
- Voltage: 400 Volt
- Weight: 100 kg
- Pol es 4
- Supply inverter

AUSRÜSTUNG / EQUIPMENT

- HSK 63A
- Ceramic ball bearings
- Encoder TVpp
- Liquid cooling
- Labyrinth with air seal
- Taper cleaning
- Single effect pneumatic cylinder
- Sensors s1, s2
- Automatic tool change (A.T.C)
- Grease lubrication

KX-2 32/4.5 24 (SYNCHRONOUS)

LEISTUNGEN / PERFORMANCES



OPTIONALES ZUBEHÖR / OPTIONS

- Air tool
- Water tool cooling
- Temperature sensor
- CTS lubrication
- Oil mist/MQL
- Long nose

TECHNISCHE SPEZIFIKATIONEN / TECHNICAL SPECIFICATIONS

- Power: 32/32 kW
- Torque: 68/100 Nm
- Speed: 24000 rpm
- Current: 73/113 A
- Voltage: 400 Volt
- Weight: 100 kg
- Pol es 4
- Supply inverter

AUSRÜSTUNG / EQUIPMENT

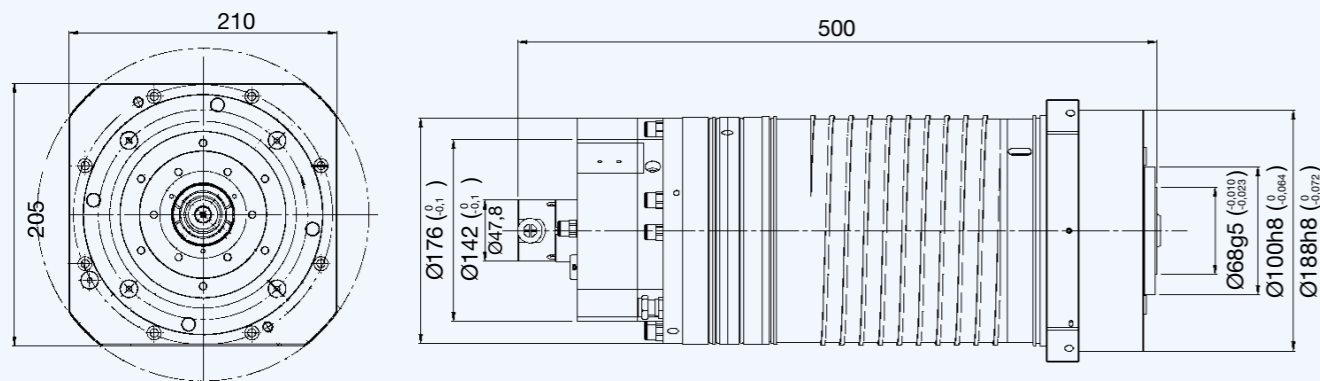
- HSK 63A
- Ceramic ball bearings
- Encoder TVpp
- Liquid cooling
- Labyrinth with air seal
- Taper cleaning
- Single effect pneumatic cylinder
- Sensors s1, s2
- Automatic tool change (A.T.C)
- Grease lubrication

METALTECH MX



SUITABLE FOR MACHINING METAL, ALUMINUM AND LIGHT ALLOY
POWER UP TO 42 KW AND HIGH TORQUES UP TO 67 NM
FRONT BEARING COOLING CIRCUIT
AVAILABLE WITH ENCODER ON BOARD, AIR TOOL, MQL, OIL MIST AND CTS
SYNCHRONOUS SPINDLES WITH HSK 63A AND ENCODER ON BOARD

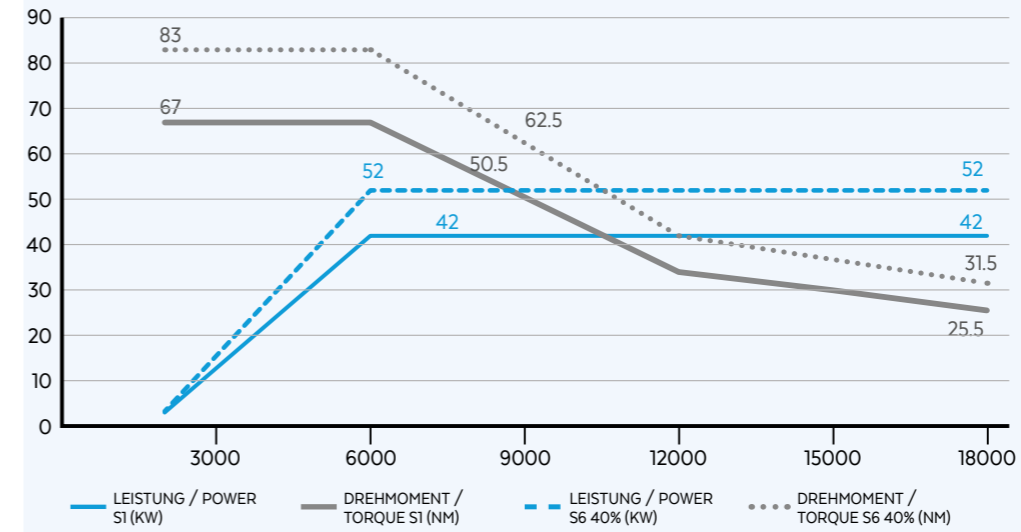
LAYOUT HSK 63A



MX 42/6 18 63A SYNCHRONOUS

HIGH TORQUE

LEISTUNGEN / PERFORMANCES



OPTIONALES ZUBEHÖR / OPTIONS

- Air tool
- Water tool cooling
- Temperature sensor
- CTS lubrication
- Oil mist/MQL
- Axial shaft displacement sensor
- Bearings temperature monitoring
- Speed monitoring
- Vibration sensor
- Sensor s5
- Taper cleaning

TECHNISCHE SPEZIFIKATIONEN / TECHNICAL SPECIFICATIONS

- S1-S6 kW 42/52
- S1-S6 Nm 67/83
- S1-S6 rpm 18000
- S1-S6 A 120/148
- Volt 460
- kg 70
- Pol es 4
- Supply inverter

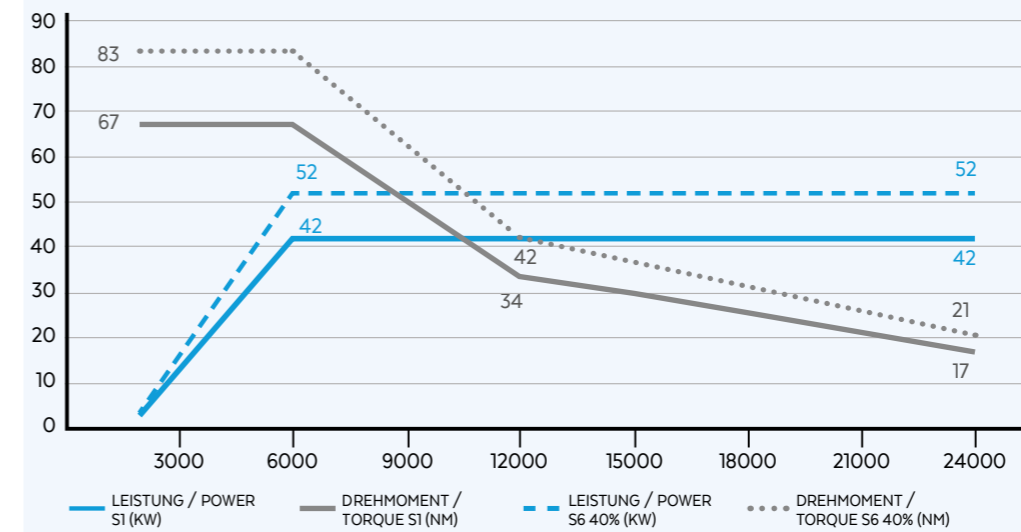
AUSRÜSTUNG / EQUIPMENT

- HSK 63A
- Ceramic ball bearings
- Encoder TVpp
- Liquid cooling
- Labyrinth with air seal
- Grease lubrication
- Single effect hydraulic cylinder
- Sensors s1, s2
- Automatic tool change (A.T.C)

MX 42/6 24 63A SYNCHRONOUS

HIGH TORQUE

LEISTUNGEN / PERFORMANCES



OPTIONALES ZUBEHÖR / OPTIONS

- Air tool
- Water tool cooling
- Temperature sensor
- CTS lubrication
- Oil mist/MQL
- Axial shaft displacement sensor
- Bearings temperature monitoring
- Speed monitoring
- Vibration sensor
- Sensor s5
- Taper cleaning

TECHNISCHE SPEZIFIKATIONEN / TECHNICAL SPECIFICATIONS

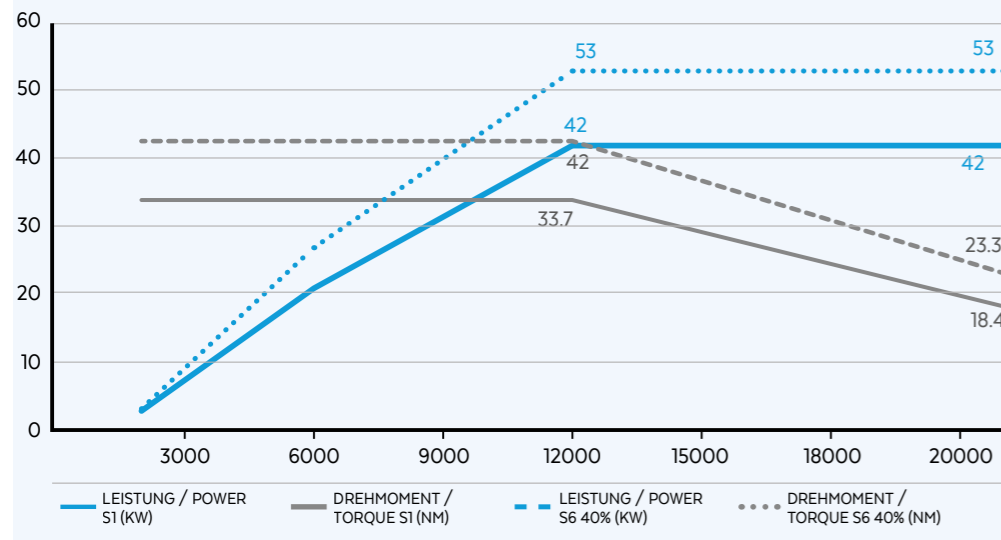
- S1-S6 kW 42/52
- S1-S6 Nm 67/83
- S1-S6 rpm 24000
- S1-S6 A 120/148
- Volt 380
- kg 70
- Pol es 4
- Supply inverter

AUSRÜSTUNG / EQUIPMENT

- HSK 63A
- Ceramic ball bearings
- Encoder TVpp
- Liquid cooling
- Labyrinth with air seal
- Oil lubrication
- single effect hydraulic cylinder
- Sensors s1, s2
- Automatic tool change (A.T.C)

MX 42/12 20 63A

LEISTUNGEN / PERFORMANCES



OPTIONALES ZUBEHÖR / OPTIONS

- Air tool
- Water tool cooling
- Temperature sensor
- CTS lubrication
- Oil mist/MQL
- Axial shaft displacement sensor
- Bearings temperature monitoring
- Speed monitoring
- Vibration sensor
- Sensor s5
- Taper cleaning

TECHNISCHE SPEZIFIKATIONEN / TECHNICAL SPECIFICATIONS

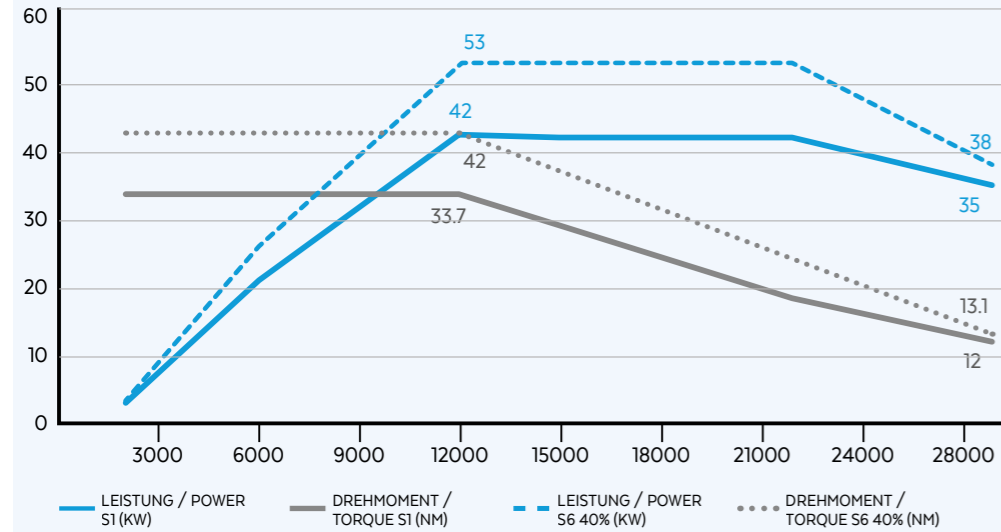
- S1-S6 kW** 42/53
- S1-S6 A** 96/112
- Pol es** 6
- S1-S6 Nm** 33,7/42
- Volt** 380
- Supply** inverter
- rpm** 20000
- kg** 70

AUSRÜSTUNG / EQUIPMENT

- HSK 63A
- Liquid cooling
- Single effect hydraulic cylinder
- Ceramic ball bearings
- Labyrinth with air seal
- Encoder 1Vpp
- Grease lubrication
- Sensors s1, s2
- Automatic tool change (A.T.C)

MX 42/12 28 63A

LEISTUNGEN / PERFORMANCES



OPTIONALES ZUBEHÖR / OPTIONS

- Air tool
- Water tool cooling
- Temperature sensor
- CTS lubrication
- Oil mist/MQL
- Axial shaft displacement sensor
- Bearings temperature monitoring
- Speed monitoring
- Vibration sensor
- Sensor s5
- Taper cleaning

TECHNISCHE SPEZIFIKATIONEN / TECHNICAL SPECIFICATIONS

- S1-S6 kW** 42/53
- S1-S6 A** 120/148
- Pol es** 6
- S1-S6 Nm** 33,7/42
- Volt** 380
- Supply** inverter
- rpm** 28000
- kg** 70

AUSRÜSTUNG / EQUIPMENT

- HSK 63A
- Liquid cooling
- Single effect hydraulic cylinder
- Ceramic ball bearings
- Labyrinth with air seal
- Encoder 1Vpp
- Oil lubrication
- Sensors s1, s2
- Automatic tool change (A.T.C)

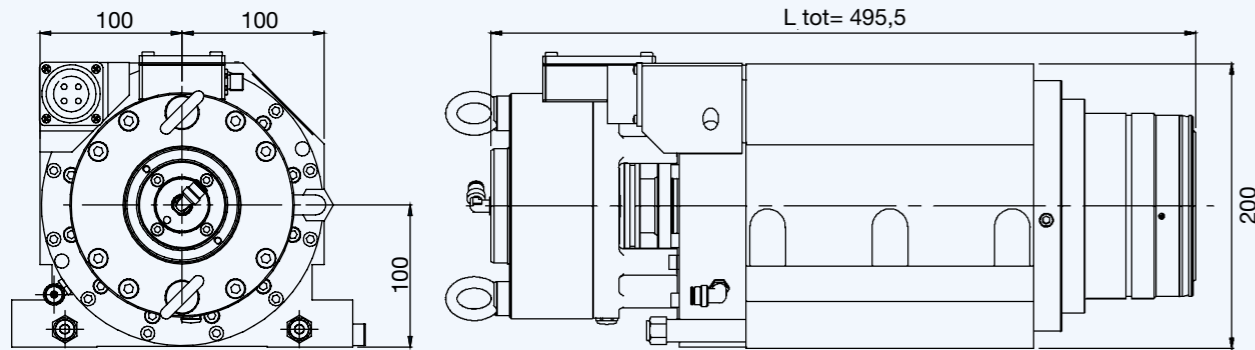


STONETECH MG



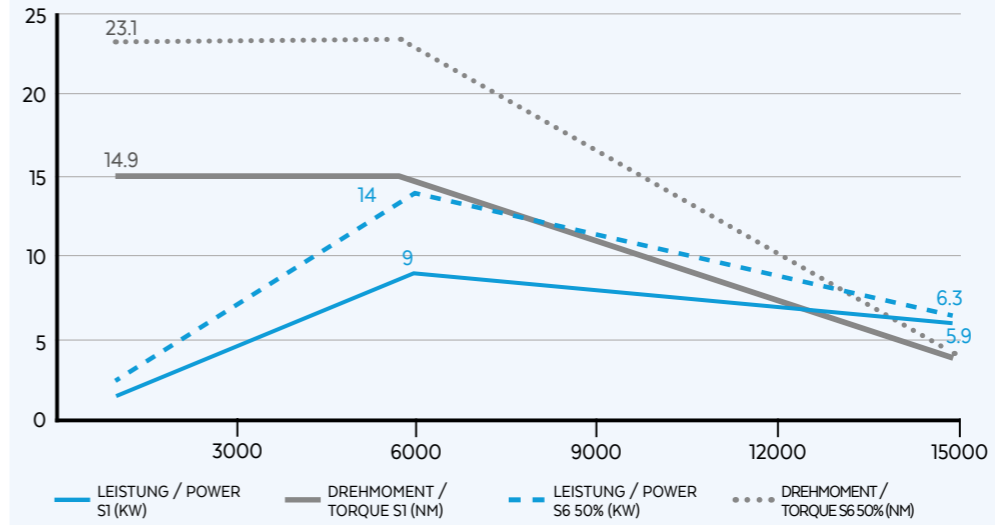
SUITABLE FOR MACHINING GLASS AND MARBLE AND STONE
POWER UP TO 30 KW AND HIGH TORQUES UP TO 39 NM
AVAILABLE WITH CASE AND CTS
ISO 40 TAPER

LAYOUT ISO 40



MG-2 9/6 15

LEISTUNGEN / PERFORMANCES



OPTIONALES ZUBEHÖR / OPTIONS

- CTS lubrication
- Air tool
- Water tool cooling

TECHNISCHE SPEZIFIKATIONEN / TECHNICAL SPECIFICATIONS

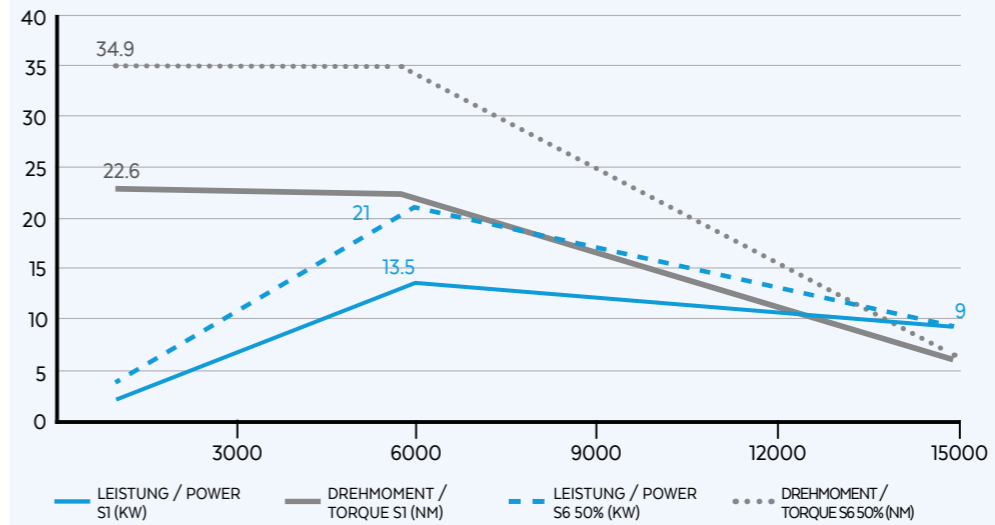
- S1-S6 kW 9/14
- S1-S6 A 24/33
- Pol es 4
- S1-S6 Nm 14.9/23.1
- Volt 380
- Supply inverter
- rpm 15000
- kg 90

AUSRÜSTUNG / EQUIPMENT

- ISO 40
- Liquid cooling
- Single effect cylinder
- Automatic tool change (A.T.C)
- Ceramic ball bearings
- Labyrinth with air seal
- Sensors s1, s2
- Grease lubrication
- Taper cleaning

MG-2 13.5/6 15

LEISTUNGEN / PERFORMANCES



OPTIONALES ZUBEHÖR / OPTIONS

- CTS lubrication
- Air tool
- Water tool cooling

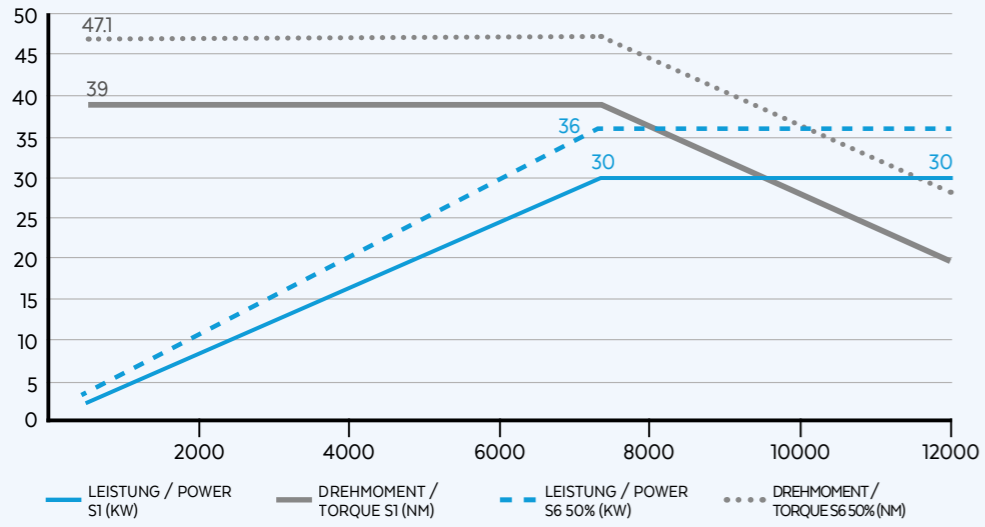
TECHNISCHE SPEZIFIKATIONEN / TECHNICAL SPECIFICATIONS

- S1-S6 kW 13.5/21
- S1-S6 A 32/34.9
- Pol es 4
- S1-S6 Nm 22.6/34.9
- Volt 380
- Supply inverter
- rpm 15000
- kg 90

AUSRÜSTUNG / EQUIPMENT

- ISO 40
- Liquid cooling
- Single effect cylinder
- Automatic tool change (A.T.C)
- Ceramic ball bearings
- Labyrinth with air seal
- Sensors s1, s2
- Grease lubrication
- Taper cleaning

LEISTUNGEN / PERFORMANCES



OPTIONALES ZUBEHÖR / OPTIONS

- CTS lubrication
- Air tool
- Water tool cooling

TECHNISCHE SPEZIFIKATIONEN / TECHNICAL SPECIFICATIONS

- S1-S6 kW** 30/36
- S1-S6 A** 66/78
- Pol es** 4
- S1-S6 Nm** 39/47.1
- Volt** 380
- Supply** inverter
- rpm** 12000
- kg** 73

AUSRÜSTUNG / EQUIPMENT

- ISO 40
- Liquid cooling
- Single effect cylinder
- Automatic tool change (A.T.C.)
- Ceramic ball bearings
- Labyrinth with air seal
- Sensors s1, s2
- Grease lubrication
- Taper cleaning



C-AXIS FOR POWERTECH 300-400



Kompass kurze Nase (NC) mit 3 pneumatischen Anschlüssen, mit Yaskawa Servomotor
Compass Short Nose (NC) with 3 pneumatic connections With Yaskawa servo-motor

Kompass lange Nase (NL) mit 3 pneumatischen Anschlüssen, mit Yaskawa Servomotor
Compass Long Nose (NL) with 3 pneumatic connections With Yaskawa servo-motor

OPTIONALES ZUBEHÖR / OPTIONS

Ohne Servomotor erhältlich
Available without servomotor

WERKZEUGHALTEKEGEL TOOL HOLDER

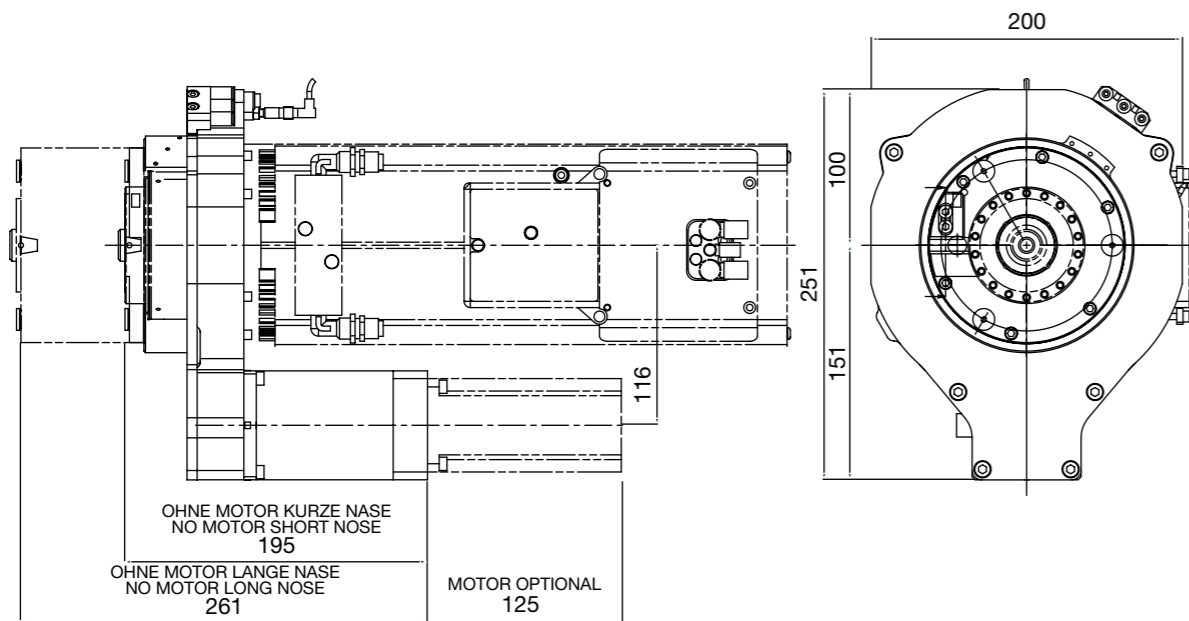


Tool holder
Werkzeughaltekegel HSK63F ER 32 M40X1.5_DX

Tool holder
Werkzeughaltekegel ISO30 ER 32 M40X1.5_DX

Tool holder
Werkzeughaltekegel HSK 63A ER 32 M40X1.5_DX

Für andere Typen von Werkzeughaltezangen wenden Sie sich bitte an das Team von Hiteco
For other tool holder types, please contact Hiteco staff



WERKZEUGHALTEZANGEN TOOL FINGER



Tool finger
Werkzeughaltezangen HSK 63F

Tool finger
Werkzeughaltezangen ISO 30

Tool finger
Werkzeughaltezangen HSK 63A

Für andere Typen von Werkzeughaltezangen wenden Sie sich bitte an das Team von Hiteco
For other tool finger sizes, please contact Hiteco staff

REFERENZ DER KÖPFE ANTI-ROTATION SLEEVES



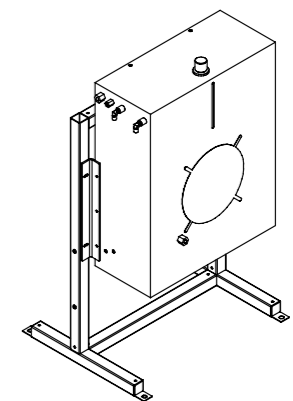
Referenz der Köpfe für PT200: 2 Positionen ohne pneumatische Anschlüsse
Anti-rotation sleeve for PT 200: 2 positions Without pneumatic connections

Referenz der Köpfe für PT250: 2 Positionen mit oder ohne pneumatische Anschlüsse
Anti-rotation sleeves for PT 250: 2 positions With or without pneumatic connections

Referenz der Köpfe für PT300-400: 2 Positionen, erhältlich in der Ausführung mit kurzer Nase und mit langer Nase (NC und NL), mit und ohne pneumatische Anschlüsse
Anti-rotation sleeves for PT 300-400: 2 positions Available with Short and Long Nose (NC and NL) With or without pneumatic connections

Referenz der Köpfe für Spindeln 5 Achsen (mit 1 pneumatischen Anschluss)
Anti-rotation sleeves for 5-axis spindles With 1 pneumatic connection

WÄRMETAUSCHER HEAT EXCHANGER



Kühlleistung
di raffreddamento
Cooling power 5000 W with liquid temperature +40°, air temperature +20°C

Flüssigkeitsdurchsatz
Liquid flow 4 lt/min at 5,5 bar

Fassungsvermögen des Tanks
Tank capacity 5 lt

OPTIONALES ZUBEHÖR / OPTIONS

Ausführung ohne Halterung und Schläuche erhältlich
Available without support and flexible hoses

